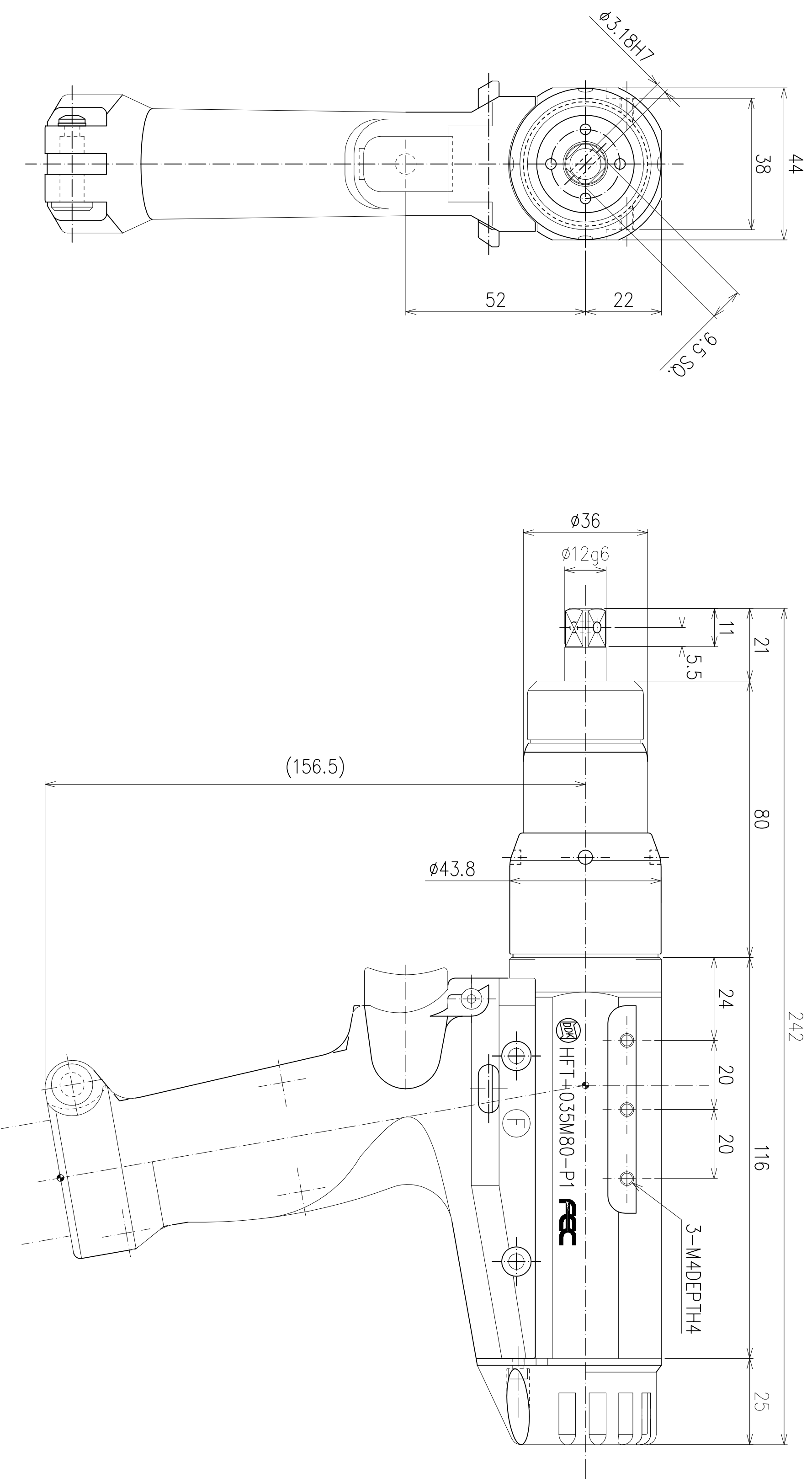


CHANGES			
SYM.	BY	REVISION	DATE



FULL SCALE TORQUE: 35Nm
 MAX FREE SPEED: 778 RPM
 WEIGHT: 1.37Kg (3.01LBS.)

TOLERANCE UNLESS OTHERWISE SPECIFIED

INCH	METRIC
XX±.01	X±.25
.XXX±.005	.XX±.127
.XXXX±.0005	.XXX±.0127
ANGLE±.5°	ANGLE±.5°

- DO NOT SCALE DRAWING.
- BREAK ALL SHARP CORNERS & EDGES EXCEPT AS NOTED.
- USE HI-COLLAR LOCKWASHERS UNDER ALL SOC. HD. SCREWS.
- APPLY LOC-TITE TO ALL SCREWS.

NOTICE OF PROPRIETARY RIGHTS

The design concepts and engineering detail embodied in this drawing are the property of FEC INC. and are to be maintained in strict confidence; no element or detail of this drawing is to be disclosed nor used without the express written permission of FEC INC.

AMT	SYM	SHT	NAME	PART #	MFG.

DES BY	FEC	DET BY	FEC	TITLE	FASTENING AUTOMATION	WWW.FEC-USA.COM
CHK BY	FEC	SAFETY OK	FEC	OUTLINE DRAWING FOR	HFT-035M80-P1	
DATE	7/14/15	SCALE	METRIC FULL	DDK DRAWING 80U-1062-00	DRAWING NO.	HFT-035M80-P1
SHEET	1	SHEETS	1			