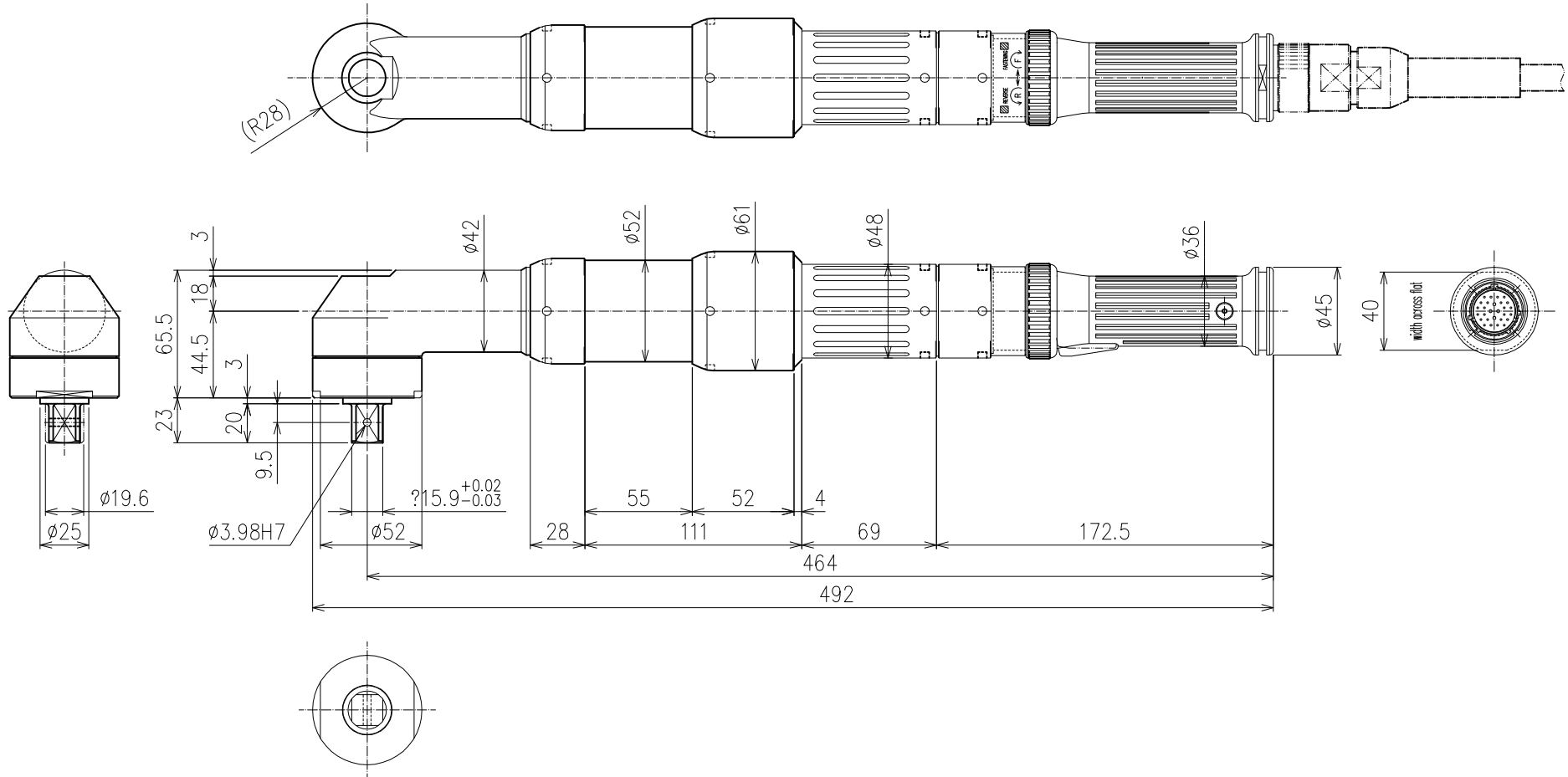


CHANGES			
SYM	BY	REVISION	DATE



FULL SCALE TORQUE: 200 Nm
 MAX FREE SPEED: 132 RPM
 WEIGHT: 4.5 Kg (9.9 Lbs.)

TOLERANCE UNLESS OTHERWISE SPECIFIED

INCH	METRIC
XXX±0.01	X±0.25
XXXX±0.005	XX±0.127
XXXXX±0.0005	XXX±0.0127
ANGLE±0.5°	ANGLE±0.5°

- DO NOT SCALE DRAWING.
- BREAK ALL SHARP CORNERS & EDGES EXCEPT AS NOTED.
- USE HI-COLLAR LOCKWASHERS UNDER ALL SOC. HD. SCREWS.
- APPLY LOC-TITE TO ALL SCREWS.

NOTICE OF PROPRIETARY RIGHTS
 The design concepts and engineering detail embodied in this drawing are the property of FEC INC. and are to be maintained in strict confidence; no element or detail of this drawing is to be disclosed nor used without the express written permission of FEC INC.

QTY	SYM	SHT	NAME	PART #	MPN

DESIGN FEC	DATE 09/26/16	TITLE OUTLINE DRAWING FOR HFT-200H80-A-20
CHKD BY FEC	SCALE 1:1	DRAWING NO. HFT-200H80-A-20 OUTLINE
DATE 09/26/16	SHEETS 1	