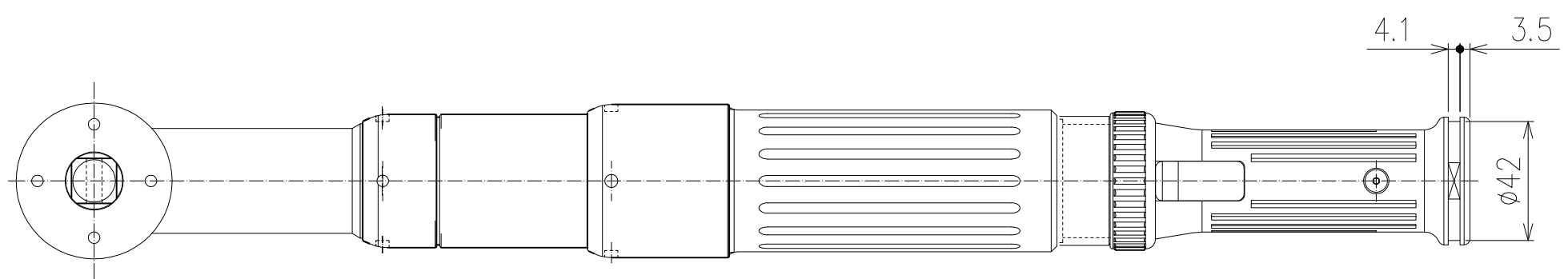
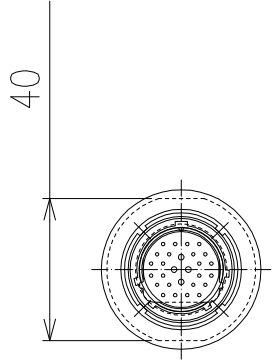
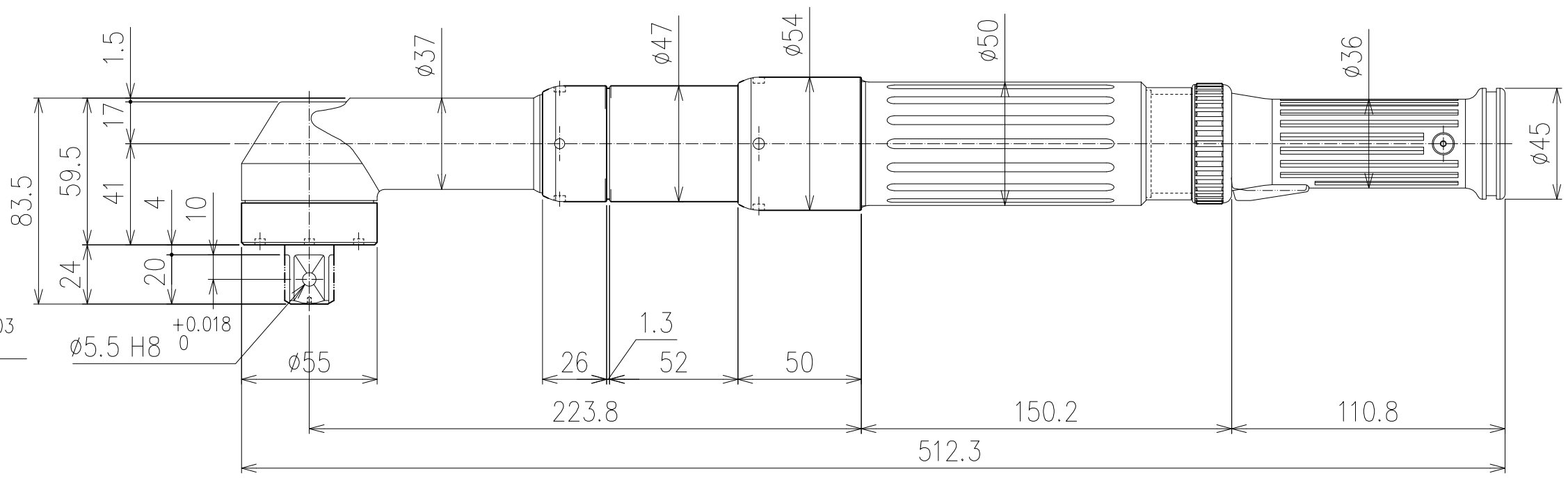
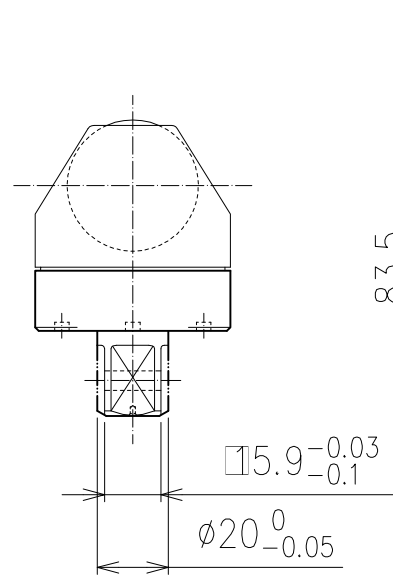
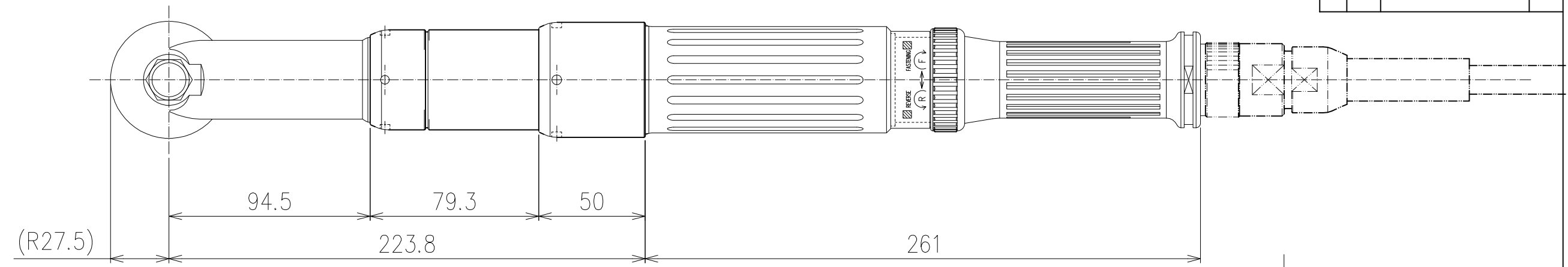


CHANGES			
SYM.	BY	REVISION	DATE



Hand Nutrunner Specification		
Max. Torque	N·m	200.0
Max. Speed	r.p.m	206
Weight	kgf	3.7

TOLERANCE UNLESS OTHERWISE SPECIFIED

INCH	METRIC
.XX=±.01	.X=±.25
.XXX=±.005	.XX=±.127
.XXXX=±.0005	.XXX=±.0127
ANGLE=±5°	ANGLE=±.5°

- DO NOT SCALE DRAWING.
- BREAK ALL SHARP CORNERS & EDGES EXCEPT AS NOTED.
- USE HI-COLLAR LOCKWASHERS UNDER ALL SOC. HD. SCREWS.
- APPLY LOC-TITE TO ALL SCREWS.

NOTICE OF PROPRIETARY RIGHTS
 The design concepts and engineering detail embodied in this drawing are the property of FEC INC. and are to be maintained in strict confidence; no element or detail of this drawing is to be disclosed nor used without the express written permission of FEC INC.

AMT	SYM	SHT	NAME	PART #	MFG.

DES BY DDK	DET BY DDK	TITLE OUTLINE DRAWING FOR HFT-200M120-A-20
CHK BY FEC	SAFETY OK	
DATE 11/15/17	SCALE METRIC 1:1	DWG DRAWING 005-1022
SHEET 1	SHEETS 1	DRAWING NO. HFT-200M120-A-20

Web: www.fec-usa.com
 Phone: (586) 580-2622
 Fax: (586) 580-2620