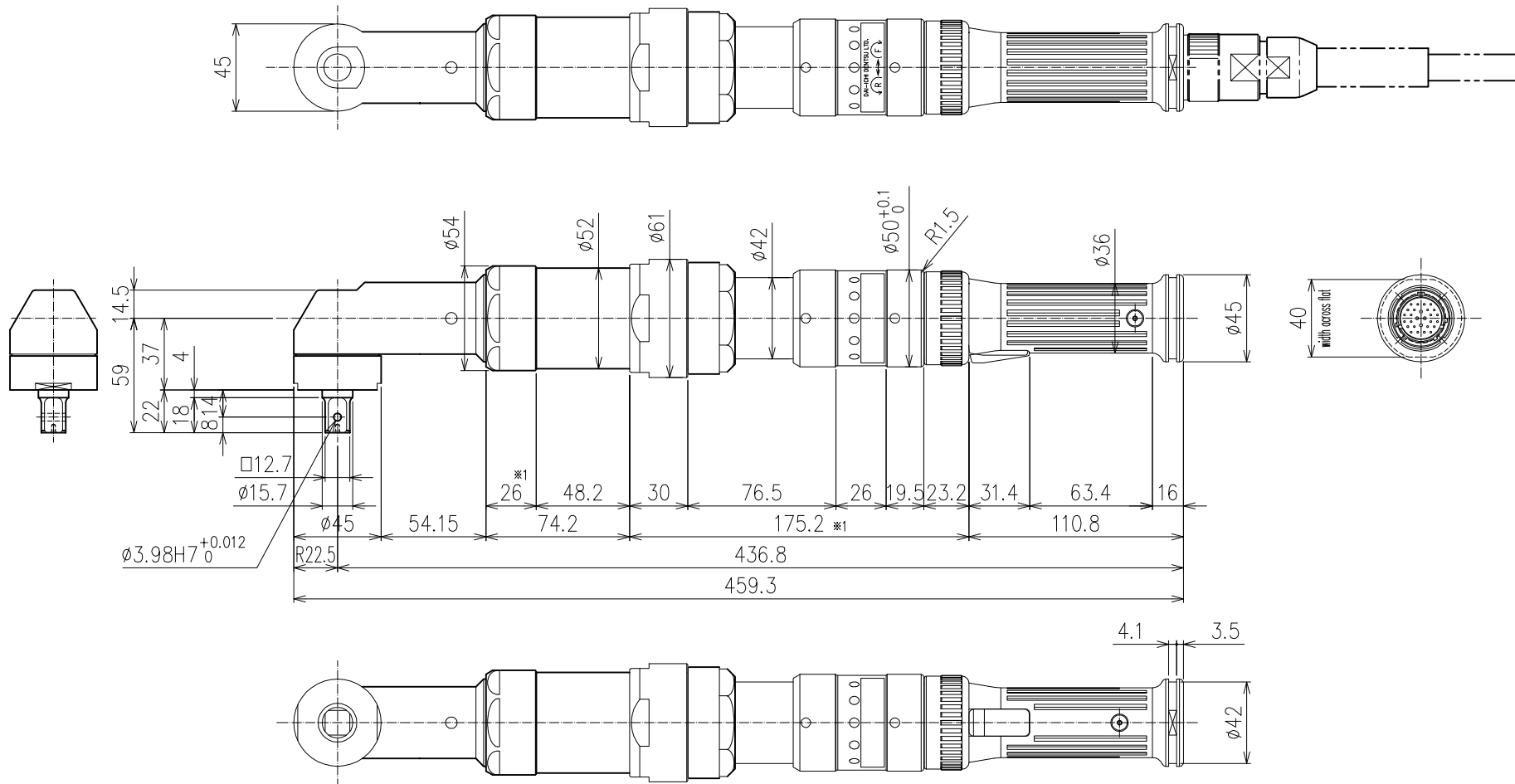


CHANGES			
SYL.	BY	REVISION	DATE



FULL SCALE TORQUE: 130 Nm
 MAX FREE SPEED: 195 RPM
 WEIGHT: 3.6 Kg (7.9 Lbs.)

TOLERANCE UNLESS OTHERWISE SPECIFIED

INCH	METRIC
.XX=±.01	.X=±.25
.XXX=±.005	.XX=±.127
.XXXX=±.0005	.XXX=±.0127
ANGLE=±.5°	ANGLE=±.5°

- DO NOT SCALE DRAWING.
- BREAK ALL SHARP CORNERS & EDGES EXCEPT AS NOTED.
- USE HI-COLLAR LOCKWASHERS UNDER ALL SOC. HD. SCREWS.
- APPLY LOC-TITE TO ALL SCREWS.

NOTICE OF PROPRIETARY RIGHTS
 The design concept and engineering detail embodied in this drawing are the property of FEC INC. and are to be maintained in strict confidence; no element or detail of this drawing is to be disclosed nor used without the express written permission of FEC INC.

※1 DO NOT ATTACH ANY HANGING ACCESSORIES WITHIN THIS SPECIFIED AREA

AMT	SYM	SHT	NAME	PART #	MFG.

DESIGN BY FEC	DET. BY FEC	TITLE OUTLINE DRAWING FOR HFT-130M80-A-10
CHK. BY FEC	SAFETY OK FEC	
DATE 06/22/12	SCALE FEC	
SHEET 1	SHEETS 1	DRAWING NO. HFT-130M80-A-10