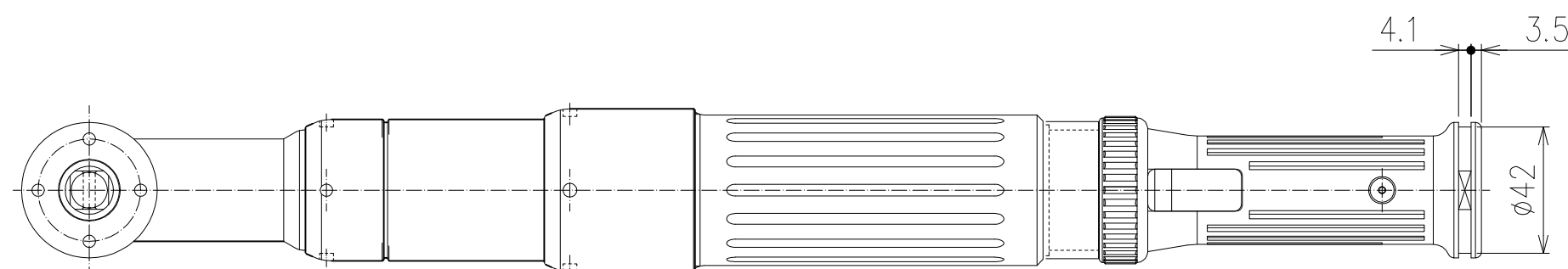
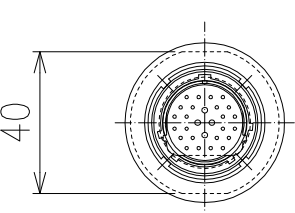
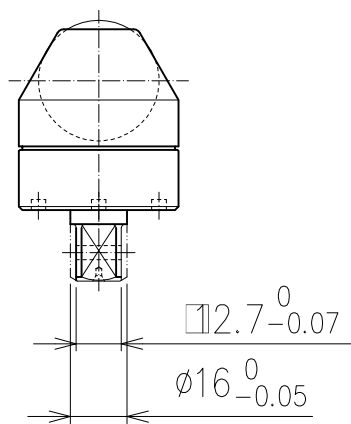
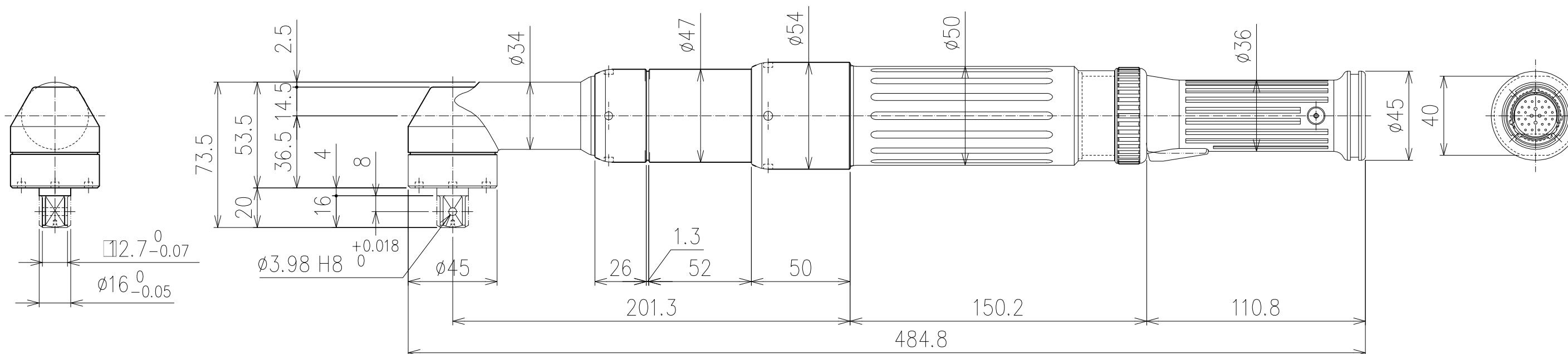
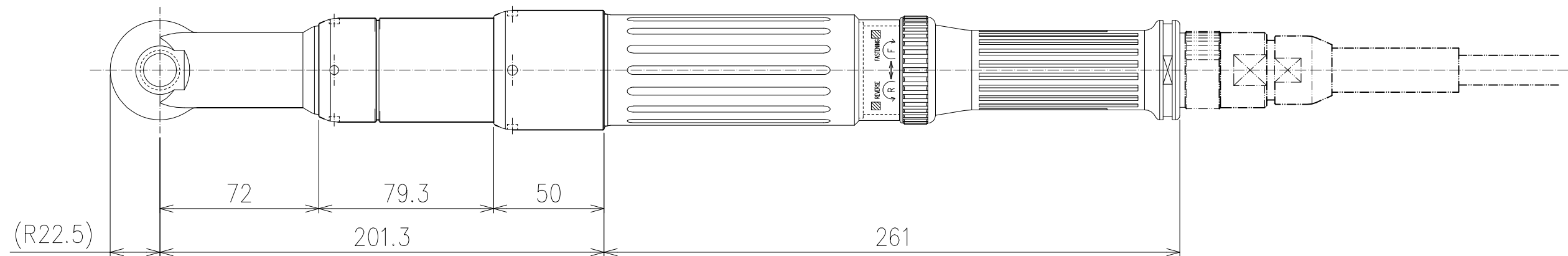


CHANGES			
SYM.	BY	REVISION	DATE



Hand Nutrunner Specification		
Max. Torque	N·m	130.0
Max. Speed	r.p.m	316
Weight	kgf	3.3

TOLERANCE UNLESS OTHERWISE SPECIFIED

INCH	METRIC
.XX=±.01	.X=±.25
.XXX=±.005	.XX=±.127
.XXXX=±.0005	.XXX=±.0127
ANGLE=±.5°	ANGLE=±.5°

- DO NOT SCALE DRAWING.
- BREAK ALL SHARP CORNERS & EDGES EXCEPT AS NOTED.
- USE HI-COLLAR LOCKWASHERS UNDER ALL SOC. HD. SCREWS.
- APPLY LOC-TITE TO ALL SCREWS.

NOTICE OF PROPRIETARY RIGHTS

The design concepts and engineering detail embodied in this drawing are the property of FEC INC. and are to be maintained in strict confidence; no element or detail of this drawing is to be disclosed nor used without the express written permission of FEC INC.

AMT	SYM	SHT	NAME	PART #	MFG.

DES BY: DDK
 CHK BY: DDK
 DATE: 11/15/17
 SHEET: 1

DET BY: DDK
 SAFETY OK:
 SCALE: FULL
 SHEETS: 1

TITLE: OUTLINE DRAWING FOR HFT-130M120-A-20
 DRAWING NO.: HFT-130M120-A-20

Web: www.fec-usa.com
 Phone: (586) 580-2622
 Fax: (586) 580-2620