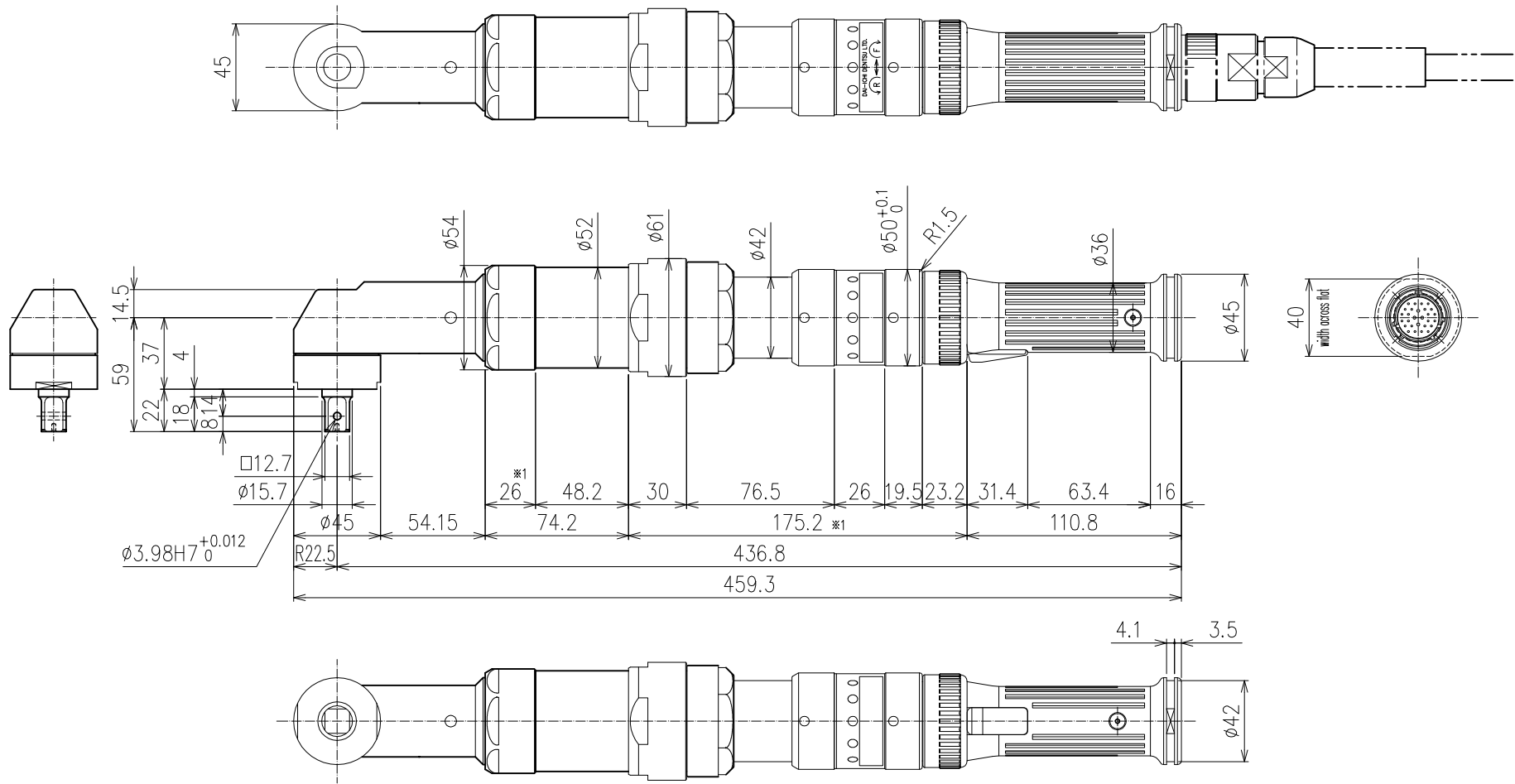


CHANGES			
SYL.	BY	REVISION	DATE



FULL SCALE TORQUE: 80 Nm
 MAX FREE SPEED: 325 RPM
 WEIGHT: 3.6 Kg (7.9 Lbs.)

TOLERANCE UNLESS OTHERWISE SPECIFIED
 INCH METRIC
 .XX=±.01 X=±.25
 .XXX=±.005 .XX=±.127
 .XXXX=±.0005 .XXX=±.0127
 ANGLE=±.5° ANGLE=±.5°

- DO NOT SCALE DRAWING.
- BREAK ALL SHARP CORNERS & EDGES EXCEPT AS NOTED.
- USE HI-COLLAR LOCKWASHERS UNDER ALL SOC. HD. SCREWS.
- APPLY LOC-TITE TO ALL SCREWS.

NOTICE OF PROPRIETARY RIGHTS
 The design concepts and engineering detail embodied in this drawing are the property of FEC INC. and are to be maintained in strict confidence; no element or detail of this drawing is to be disclosed nor used without the express written permission of FEC INC.

AMT	SYM	SHT	NAME	PART #	MFG.

DESIGN BY	DET. BY	TITLE
FEC	FEC	OUTLINE DRAWING FOR
CHK. BY	SAFETY OK	HFT-OBOMB0-A-10
FEC		
DATE	SCALE	DWG. NUMBER (REV.)
06/22/12	FEC	
SHEET	SHEETS	DRAWING NO.
1	1	HFT-OBOMB0-A-10

※1 DO NOT ATTACH ANY HANGING ACCESSORIES WITHIN THIS SPECIFIED AREA