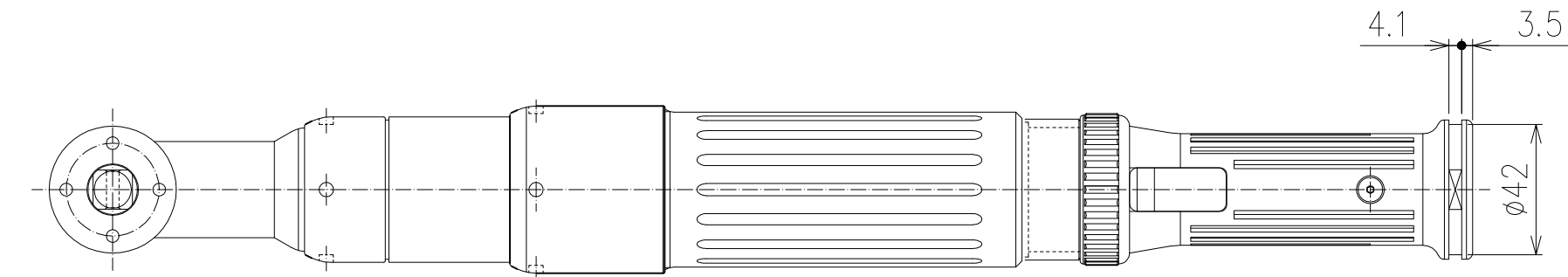
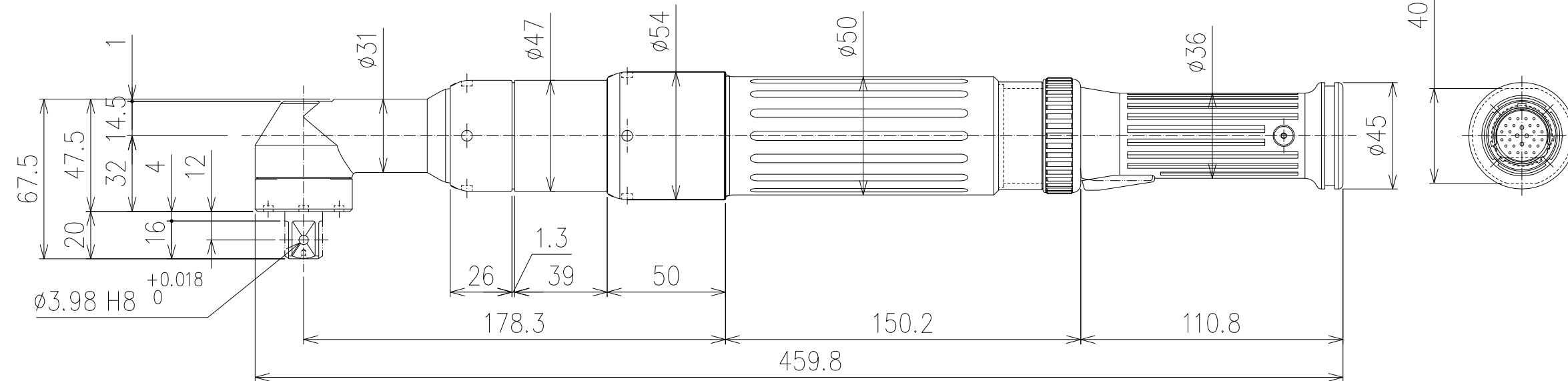
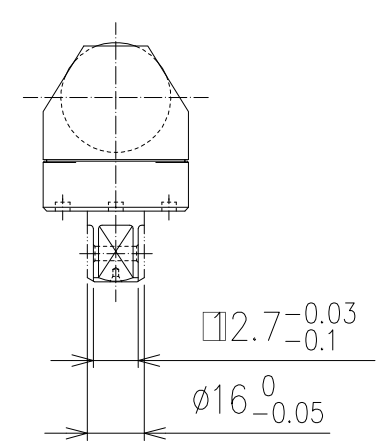
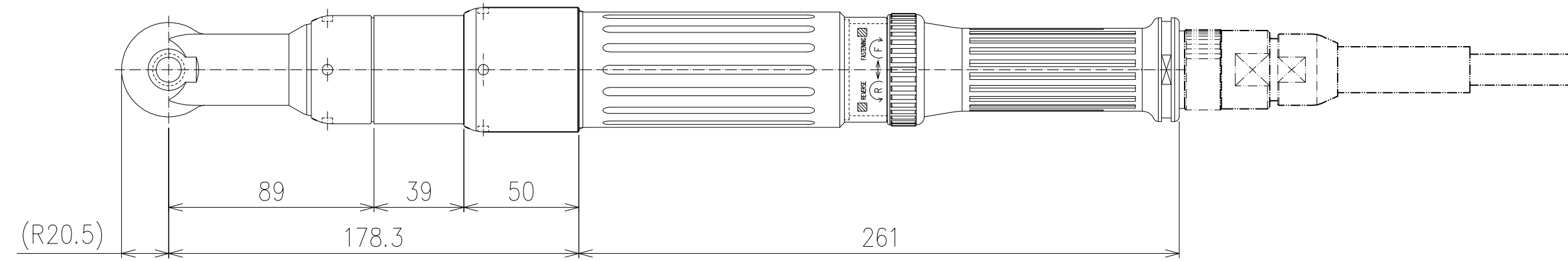


CHANGES			
SYM.	BY	REVISION	DATE



Hand Nutrunner Specification		
Max. Torque	N·m	80.0
Max. Speed	r.p.m	557
Weight	kgf	3.0

**TOLERANCE UNLESS OTHERWISE SPECIFIED**

INCH	METRIC
.XX=±.01	.X=±.25
.XXX=±.005	.XX=±.127
.XXXX=±.0005	.XXX=±.0127
ANGLE=±.5°	ANGLE=±.5°

- DO NOT SCALE DRAWING.
- BREAK ALL SHARP CORNERS & EDGES EXCEPT AS NOTED.
- USE HI-COLLAR LOCKWASHERS UNDER ALL SOC. HD. SCREWS.
- APPLY LOC-TITE TO ALL SCREWS.

**NOTICE OF PROPRIETARY RIGHTS**

The design concepts and engineering detail embodied in this drawing are the property of FEC INC. and are to be maintained in strict confidence; no element or detail of this drawing is to be disclosed nor used without the express written permission of FEC INC.

AMT	SYM	SHT	NAME	PART #	MFG.

DES BY: DDK  
 CHK BY: SAFETY OK  
 DATE: 11/15/17  
 SHEET: 1

DET BY: DDK  
 SAFETY OK  
 SCALE: METRIC  
 SHEETS: 1

TITLE: OUTLINE DRAWING FOR  
 HFT-080M120-A-20

DRAWING NO.: HFT-080M120-A-20

Web: www.fec-usa.com  
 Phone: (586) 580-2622  
 Fax: (586) 580-2620