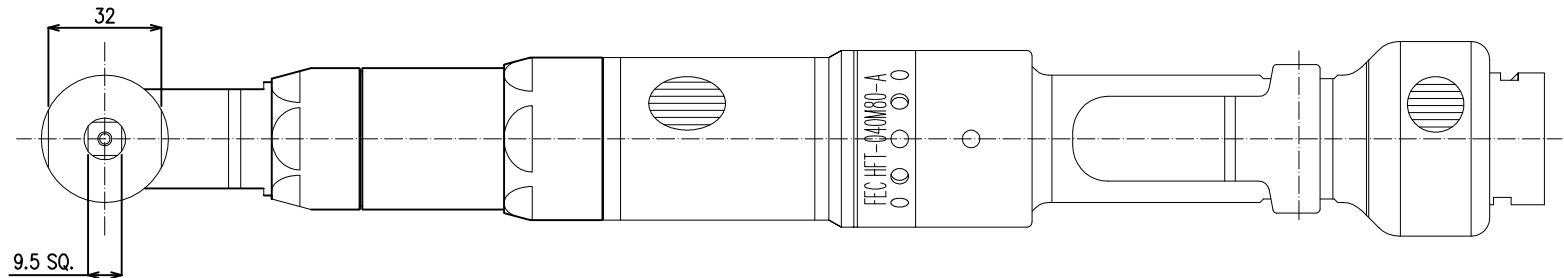
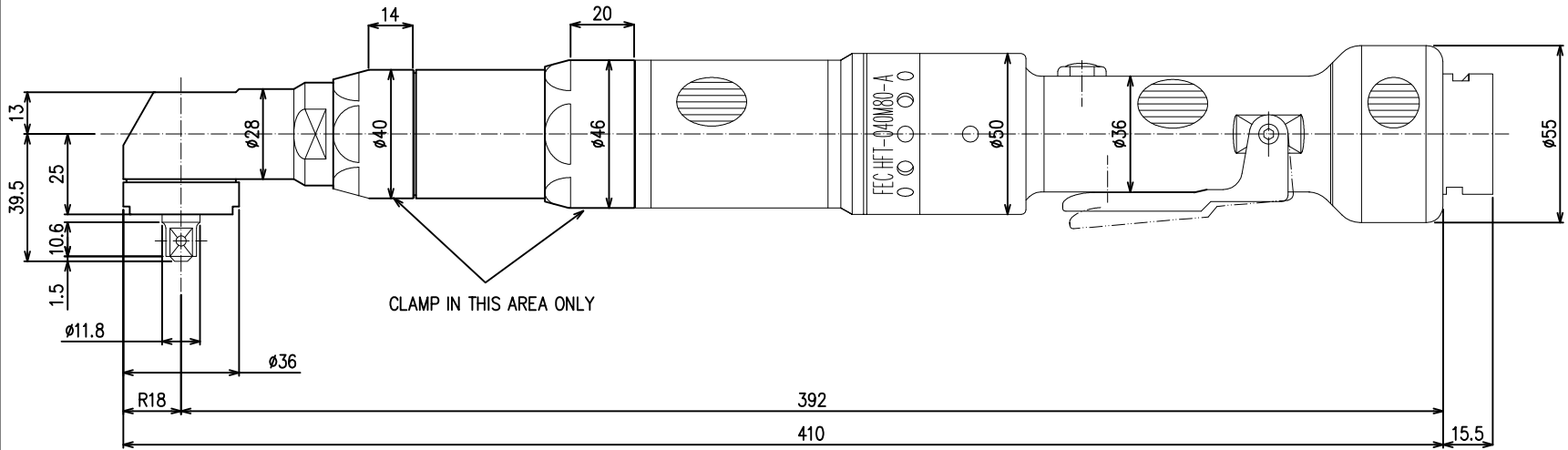


CHANGES			
SYM.	BY	REVISION	DATE



FULL SCALE TORQUE: 40Nm
 MAX FREE SPEED: 648 RPM
 WEIGHT: 1.9Kg (4.2Lbs.)

TOLERANCE UNLESS OTHERWISE SPECIFIED
 INCH METRIC
 .XX=±.01 .X=±.25
 .XXX=±.005 .XX=±.127
 .XXXX=±.0005 .XXX=±.0127
 ANGLE=±.5° ANGLE=±.5°

- DO NOT SCALE DRAWING.
- BREAK ALL SHARP CORNERS & EDGES EXCEPT AS NOTED.
- USE HI-COLLAR LOCKWASHERS UNDER ALL SOC. HD. SCREWS.
- APPLY LOC-TITE TO ALL SCREWS.

NOTICE OF PROPRIETARY RIGHTS
 The design concepts and engineering detail embodied in this drawing are the property of FEC INC. and are to be maintained in strict confidence; no element or detail of this drawing is to be disclosed nor used without the express written permission of FEC INC.

AMT	SYM	SHT	NAME	PART #	MFG.



DES. BY FEC	DET. BY FEC	TITLE OUTLINE DRAWING FOR HFT-040M80-A1-01A
CHK. BY FEC	SAFETY OK	
DATE 10/16/06	SCALE METRIC FULL	DDK DRAWING #DU-H022 2/2
SHEET 1	SHEETS 1	DRAWING NO. HFT-040M80-A1-01A