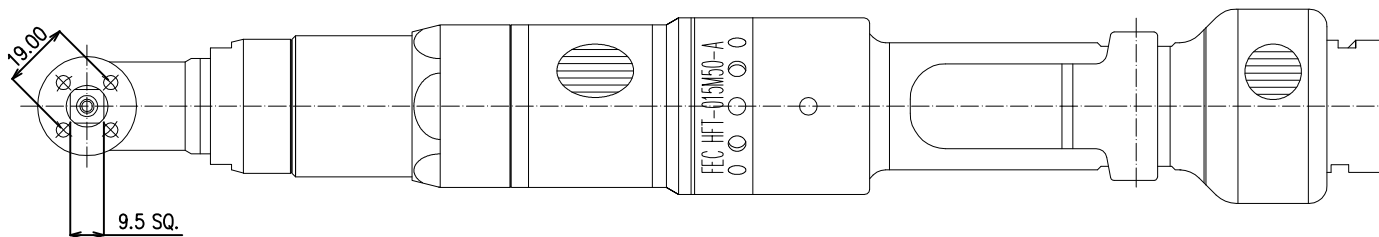
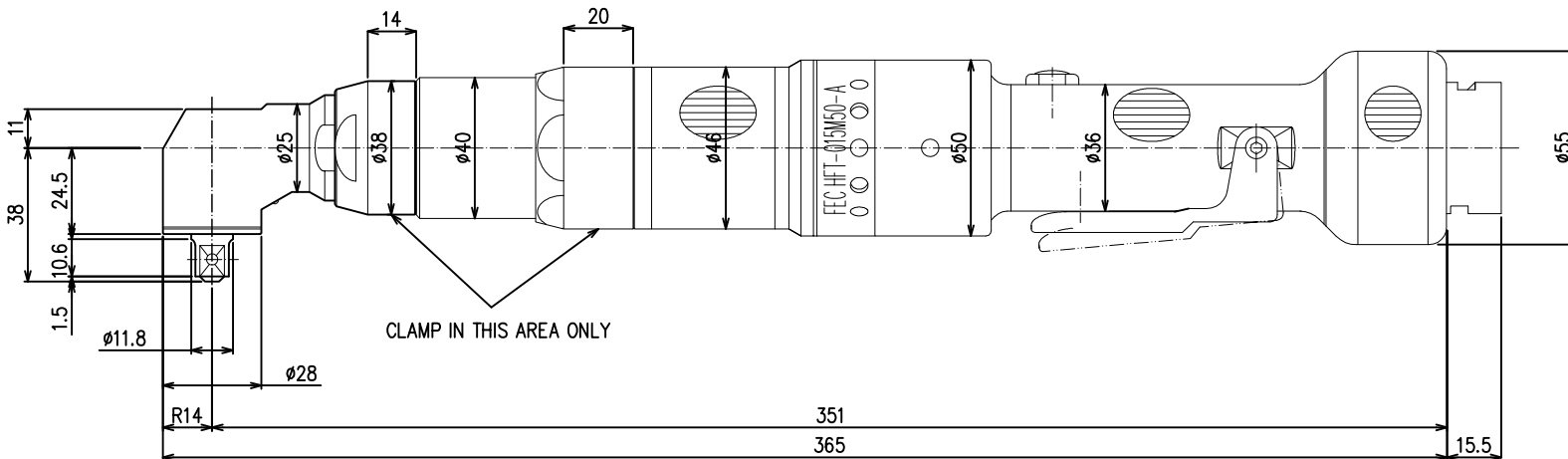


CHANGES			
SYM.	BY	REVISION	DATE



TOLERANCE UNLESS OTHERWISE SPECIFIED

INCH	METRIC
.XX=±.01	.X=±.25
.XXX=±.005	.XX=±.127
.XXXX=±.0005	.XXX=±.0127
ANGLE=±.5°	ANGLE=±.5°

- DO NOT SCALE DRAWING.
- BREAK ALL SHARP CORNERS & EDGES EXCEPT AS NOTED.
- USE HI-COLLAR LOCKWASHERS UNDER ALL SOC. HD. SCREWS.
- APPLY LOC-TITE TO ALL SCREWS.

**NOTICE OF PROPRIETARY RIGHTS**  
 The design concepts and engineering detail embodied in this drawing are the property of FEC INC. and are to be maintained in strict confidence; no element or detail of this drawing is to be disclosed nor used without the express written permission of FEC INC.

FULL SCALE TORQUE: 15Nm  
 MAX FREE SPEED: 1215 RPM  
 WEIGHT: 1.3Kg (2.8 Lbs.)

AMT	SYM	SHT	NAME	PART #	MFG.



DES.BY FEC	DET.BY FEC	TITLE OUTLINE DRAWING FOR HFT-015M50-A1-01A
CHK.BY FEC	SAFETY OK	
DATE 10/16/06	SCALE METRIC FULL	DDK DRAWING #DU-H020 2/2
SHEET 1	SHEETS 1	DRAWING NO. HFT-015M50-A1-01A