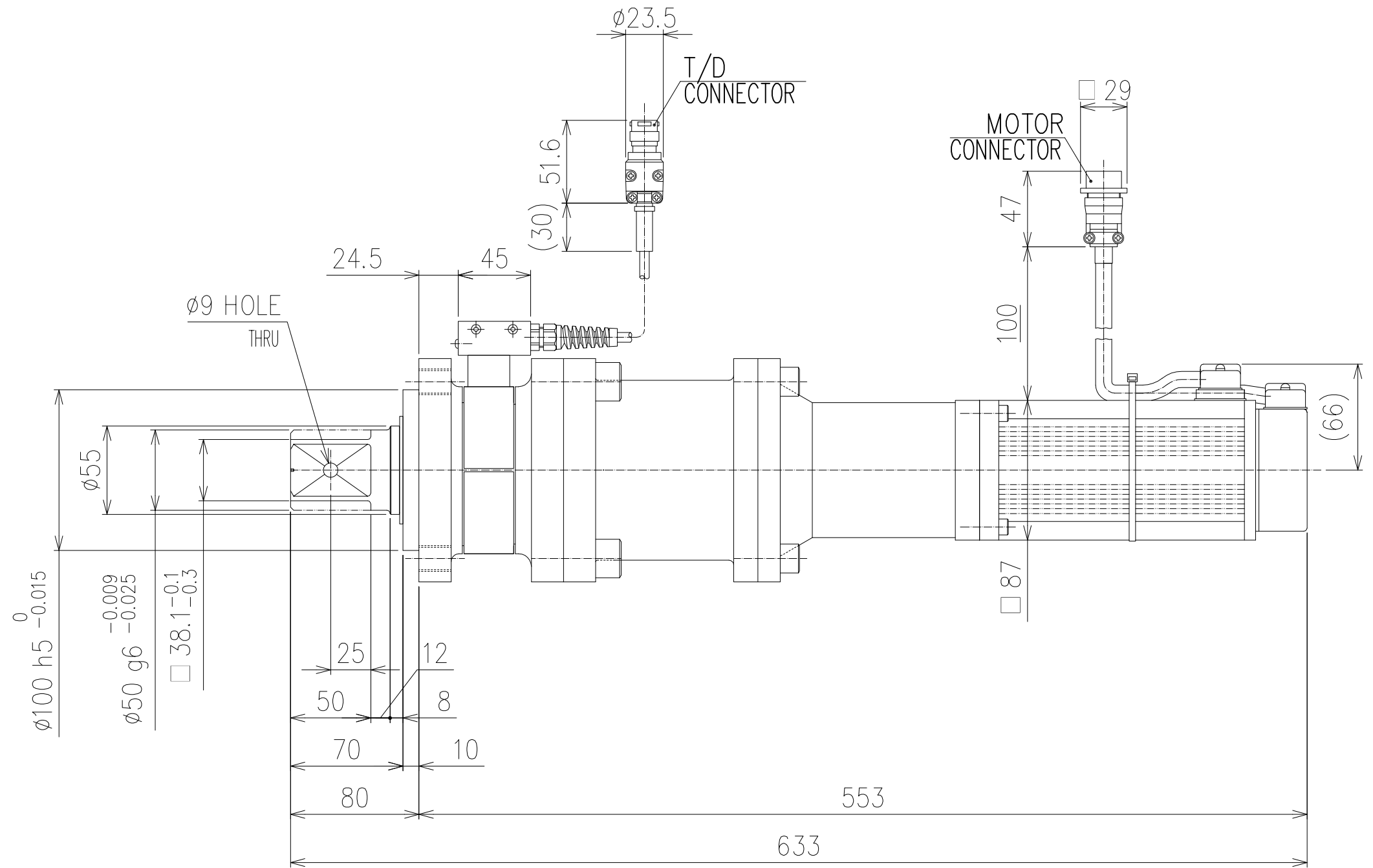
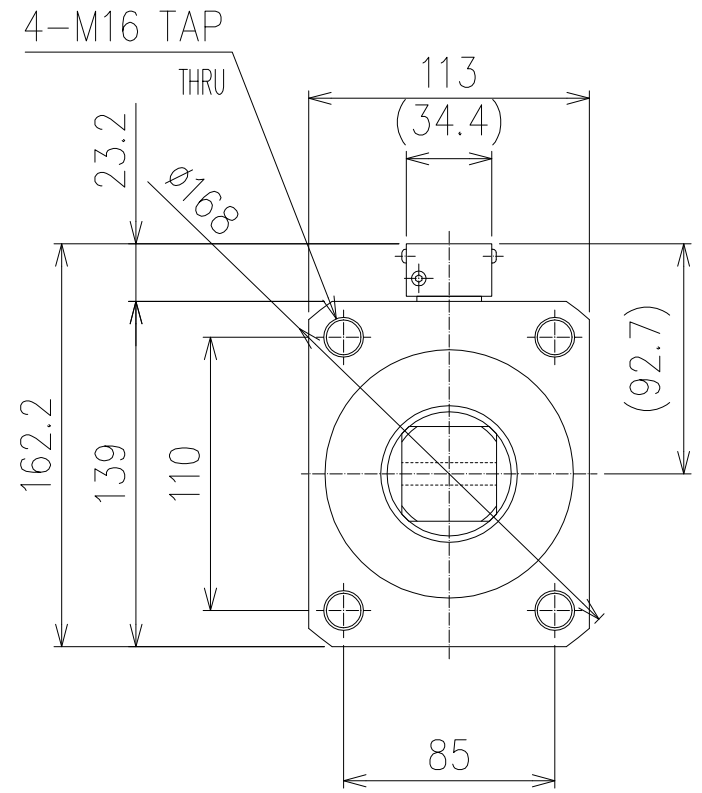


CHANGES			
SYM.	BY	REVISION	DATE
-	FEC	TRANSLATED TO ENGLISH	3/8/22

Model: CFT-153RM4J-S		
Max. Torque	N+m	1500
(Transmission Efficiency=96%,Heat Effect=92%(8% loss) considered)		
Max. Speed	r.p.m	88
Weight	kgf	28.5



TOLERANCE UNLESS OTHERWISE SPECIFIED
 INCH .XX±.01 .XX±.005 .XXX±.005 ANGLE±.5°
 METRIC .X±.25 .XX±.127 .XXX±.0127 ANGLE±.5°
 BREAK ALL SHARP CORNERS & EDGES EXCEPT AS NOTED
 DO NOTE SCALE DRAWING

NOTICE OF PROPRIETARY RIGHTS
 The design concepts and engineering detail embodied in this drawing are the property of FEC INC. and are to be maintained in strict confidence, no disclosure or detail of this drawing is to be disclosed nor used without the express written permission of FEC INC.

ART	SYM	SHT	NAME	PART #	MR.

DESIGN	DESIGN	TITLE
CHKD	SAFETY	FOR A CFT-153RM4J-S TOOL
DATE	SCALE	REF DOK DRAWING DS-N070
SHEET	SHEETS	DRAWING NO. CFT-153RM4J-S