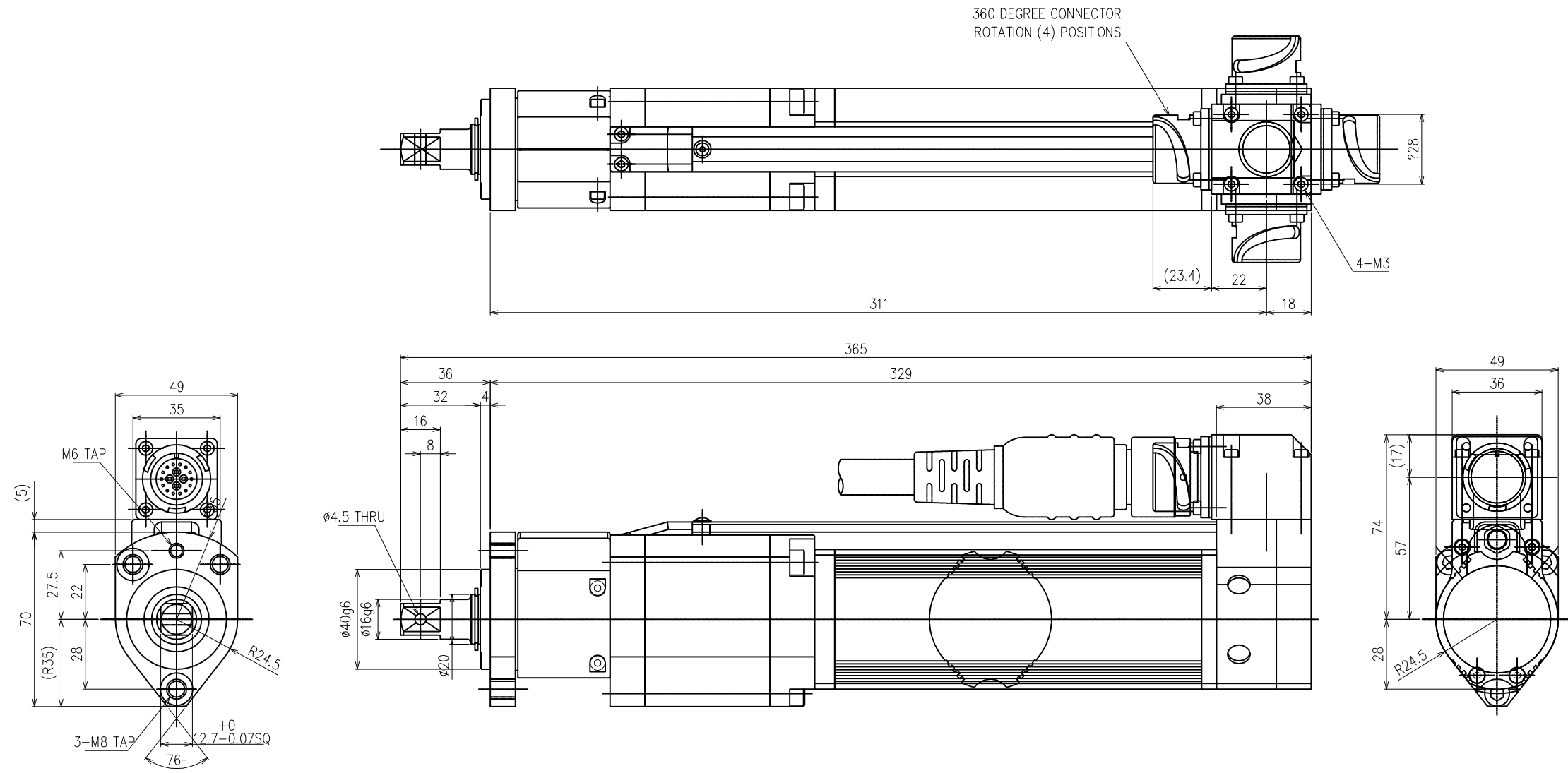


CHANGES			
SYM.	BY	REVISION	DATE
-	-	-	



TOOL SPECIFICATIONS	
FULL SCALE TORQUE	13.2 Kg-m (130 N-m)
MAX FREE SPEED	574 RPM
UNIT WEIGHT	3.5 Kg

TOLERANCE UNLESS OTHERWISE SPECIFIED

INCH	METRIC
.XX = $\pm .01$	.X = $\pm .25$
.XXX = $\pm .005$	.XX = $\pm .127$
.XXXX = $\pm .0005$	.XXX = $\pm .0127$
ANGLE = $\pm .5^\circ$	ANGLE = $\pm .5^\circ$

BREAK ALL SHARP CORNERS & EDGES EXCEPT AS NOTED  
DO NOTE SCALE DRAWING

NOTICE OF PROPRIETARY RIGHTS

The design concepts and engineering detail embodied in this drawing are the property of FEC INC. and are to be maintained in strict confidence; no element or detail of this drawing is to be disclosed nor used without the express written permission of FEC INC.

AMT	SYM	SHT	NAME	PART #	MFG.

**FEC INC.** FASTENING AUTOMATION [www.fec-usa.com](http://www.fec-usa.com)

DES.BY	DET.BY	TITLE
CHK.BY	SAFETY OK	TOOL ASSEMBLY DRAWING FOR A CFT-132RS3-S1L TOOL
DATE	SCALE	
10/20/16	FULL	
SHEET	SHEETS	DRAWING NO. CFT-132RS3-S1L