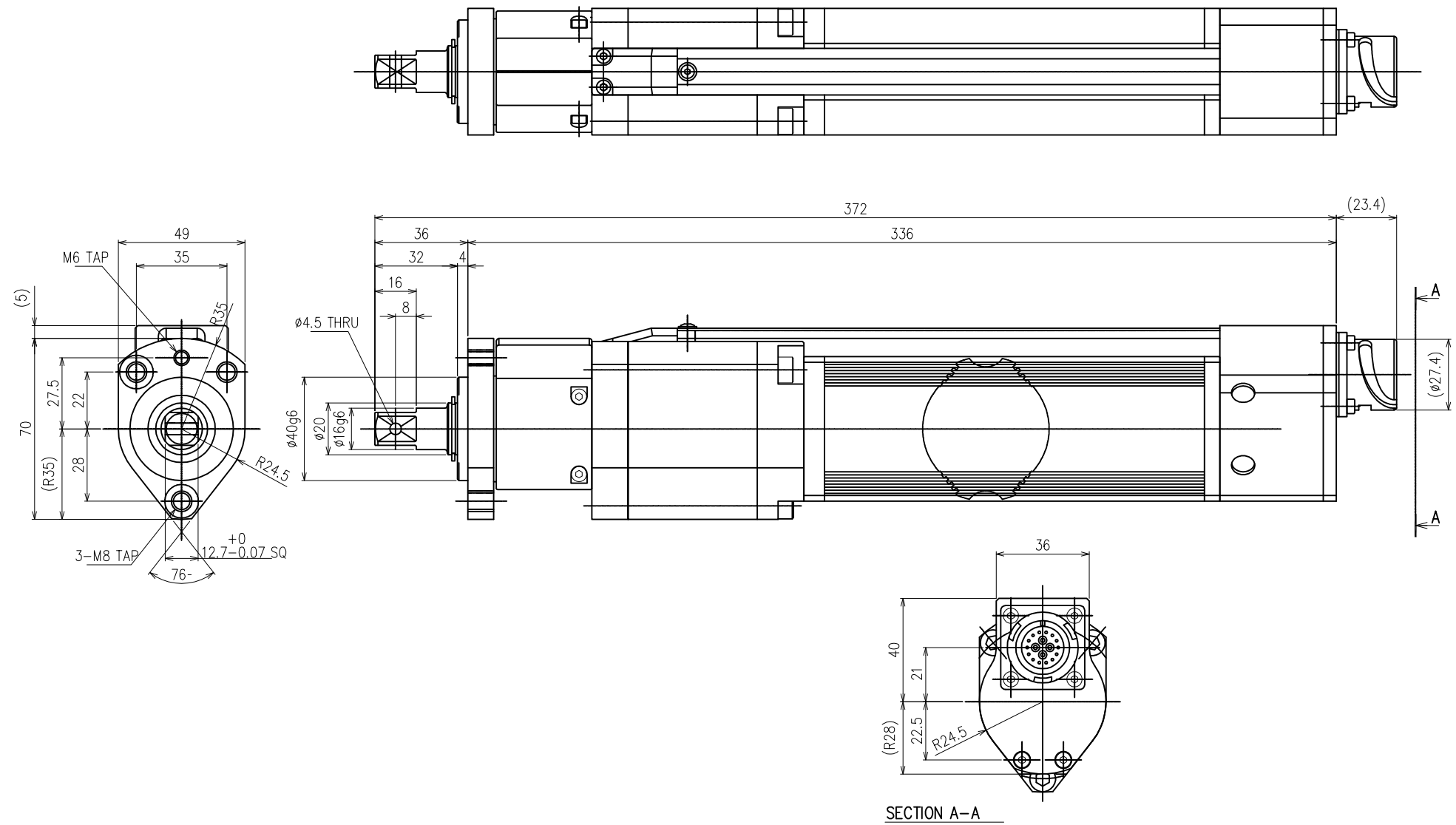


CHANGES			
SYM.	BY	REVISION	DATE
-	PAG	TRANSLATED TO ENGLISH	10/20/16



TOOL SPECIFICATIONS	
FULL SCALE TORQUE	13.2 Kgf-m (130 N-m)
MAX FREE SPEED	574 RPM
UNIT WEIGHT	3.4 Kg

TOLERANCE UNLESS OTHERWISE SPECIFIED
 INCH .XX=±.01 .XXX=±.005 .XXXX=±.0005
 METRIC .X=±.25 .XX=±.127 .XXX=±.0127
 ANGLE=±.5°
 BREAK ALL SHARP CORNERS & EDGES EXCEPT AS NOTED
 DO NOTE SCALE DRAWING

NOTICE OF PROPRIETARY RIGHTS
 The design concepts and engineering detail embodied in this drawing are the property of FEC INC. and are to be maintained in strict confidence; no element or detail of this drawing is to be disclosed nor used without the express written permission of FEC INC.

AMT	SYM	SHT	NAME	PART #	MFG.

FEC INC. FASTENING AUTOMATION www.fec-usa.com

DES.BY	DET.BY	TITLE
CHK.BY	SAFETY OK	TOOL ASSEMBLY DRAWING FOR A CFT-132RS3-S1 TOOL
DATE	SCALE	DRAWING NO.
06/18/12	FULL	
SHEET	SHEETS	CFT-132RS3-S1