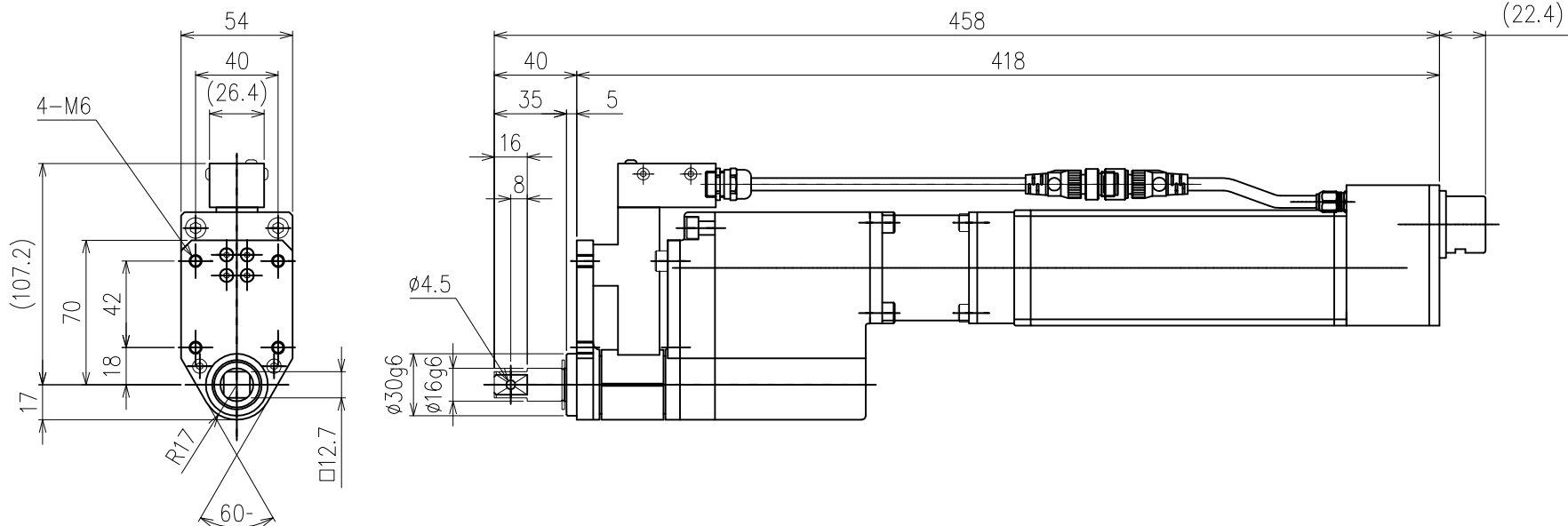


CHANGES			
SYM.	BY	REVISION	DATE
-	BMB	TRANSLATED TO ENGLISH	09/20/12



TOOL SPECIFICATIONS	
FULL SCALE TORQUE	8.2 Kgf-m (80 N-m)
MAX FREE SPEED	1015 RPM
UNIT WEIGHT	- Kg

TOLERANCE UNLESS OTHERWISE SPECIFIED

INCH	METRIC
.XX=±.01	.X=±.25
.XXX=±.005	.XX=±.127
.XXXX=±.0005	.XXX=±.0127
ANGLE=±.5°	ANGLE=±.5°

BREAK ALL SHARP CORNERS & EDGES EXCEPT AS NOTED DO NOTE SCALE DRAWING

NOTICE OF PROPRIETARY RIGHTS
The design concepts and engineering detail embodied in this drawing are the property of FEC INC. and are to be maintained in strict confidence. No element or detail of this drawing is to be disclosed nor used without the express written permission of FEC INC.

AMT	SYM	SHT	NAME	PART #	MFG.

FEC INC. FASTENING AUTOMATION www.fec-usa.com

DESIGN	DETBY	TITLE
CHECKBY	SAFETY OR	TOOL ASSEMBLY DRAWING FOR A CFT-801RS3-0 TOOL
DATE	SCALE	FULL
11/18/12		
SHEET	SHEETS	DRAWING NO. CFT-801RS3-0