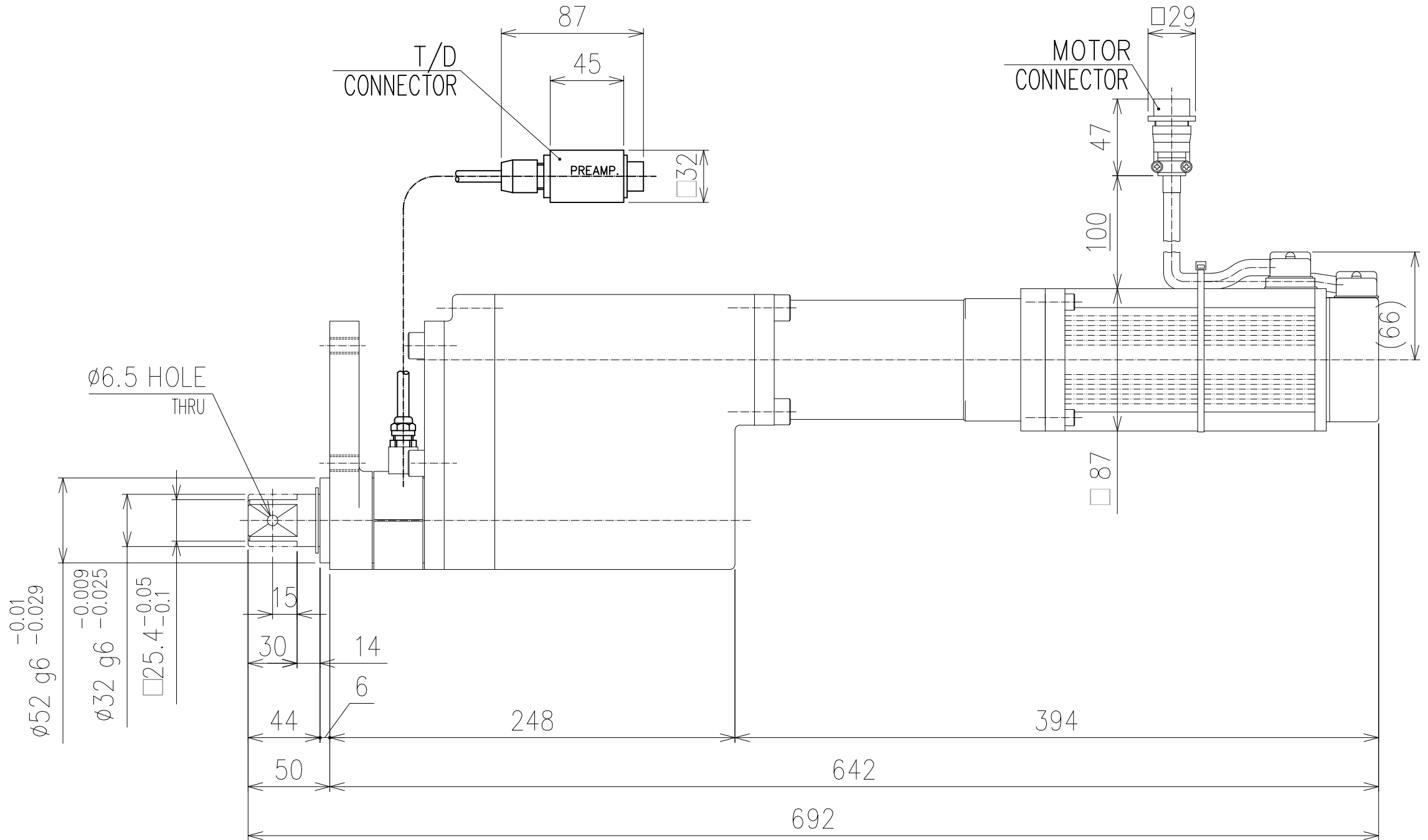
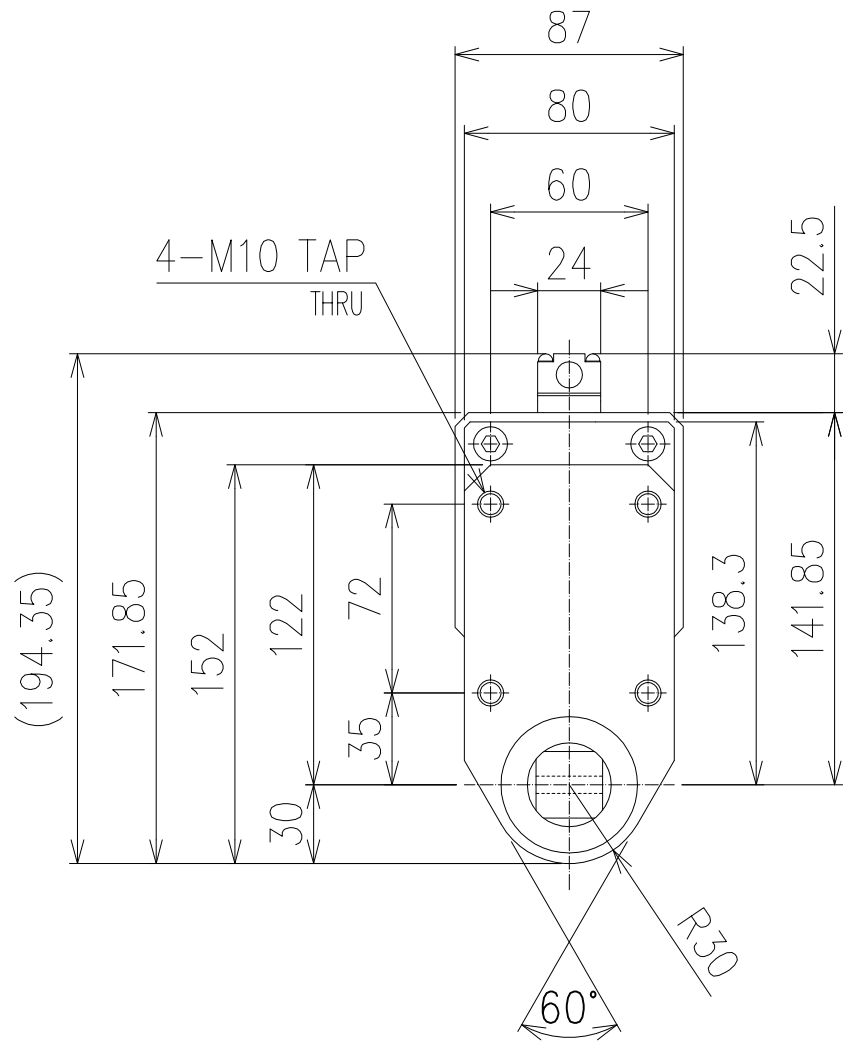


CHANGES			
SYM.	BY	REVISION	DATE
-	FEC	TRANSLATED TO ENGLISH	10/19/21

Model : CFT-502RM4J-0		
Max. Torque	N·m	500.0
(Transmission efficiency (98 & 96%), Heat Effect (92%) considered)		
Max. Speed	r.p.m	238
Weight	kgf	23.5

\*USE OF VERTICAL TIGHTENING ONLY



**TOLERANCE UNLESS OTHERWISE SPECIFIED**

INCH	METRIC
XX±0.01	X±0.25
XXX±0.005	XX±0.127
.XXXX±0.0005	.XXX±0.0127
ANGLE±0.5°	ANGLE±0.5°

**BREAK ALL SHARP CORNERS & EDGES EXCEPT AS NOTED  
DO NOTE SCALE DRAWING**

**NOTICE OF PROPRIETARY RIGHTS**  
The design concepts and engineering detail embodied in this drawing are the property of FEC INC. and are to be maintained in strict confidence, no disclosure or detail of this drawing is to be disclosed nor used without the express written permission of FEC INC.

DESIGN	DATE	TITLE
DESIGNED BY: DDK	6/4/21	TOOL ASSEMBLY DRAWING FOR A CFT-502RM4J-0 TOOL
CHECKED BY: SAFETY OK	SCALE: FULL	REF DDK DRAWING DS-N065
SHEET: 1	SHEETS: 1	DRAWING NO.: CFT-502RM4J-0

