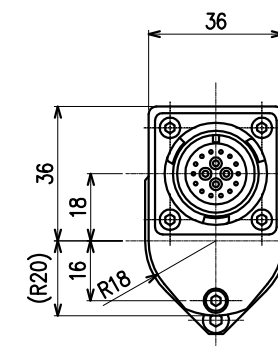
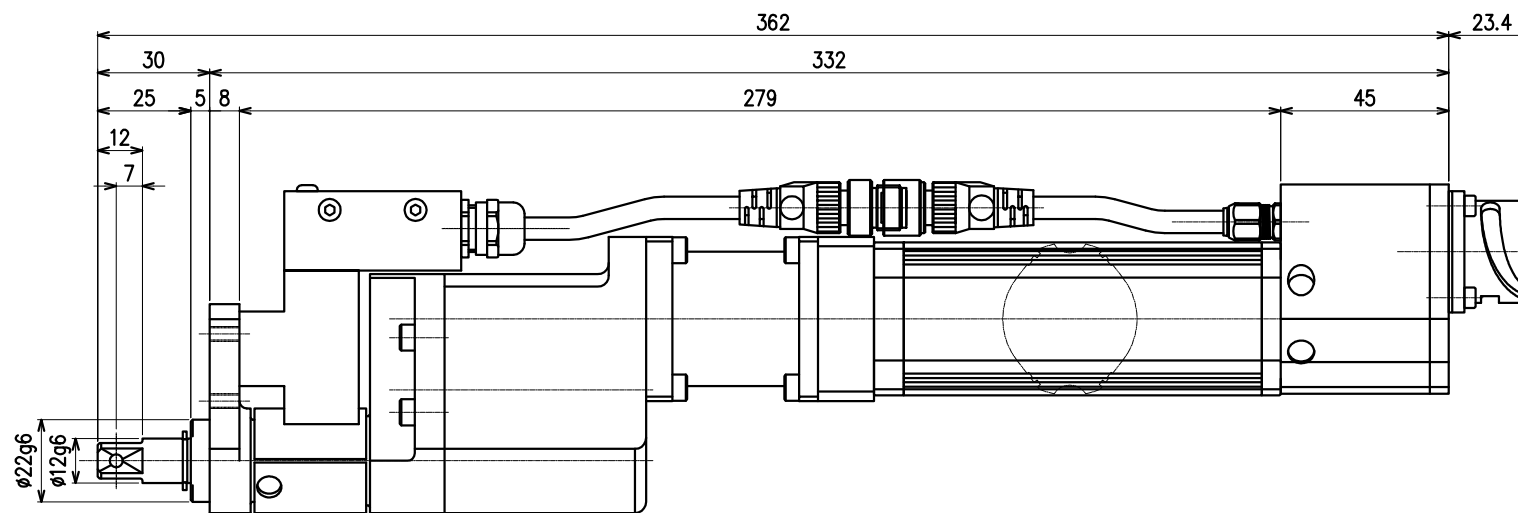
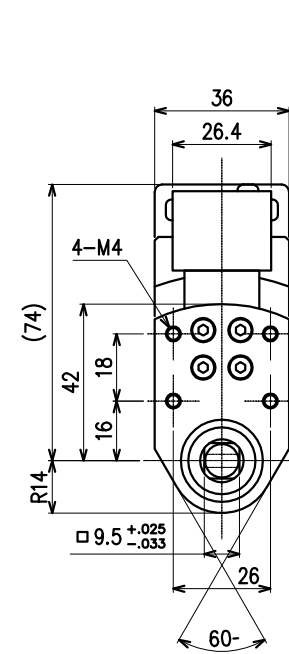
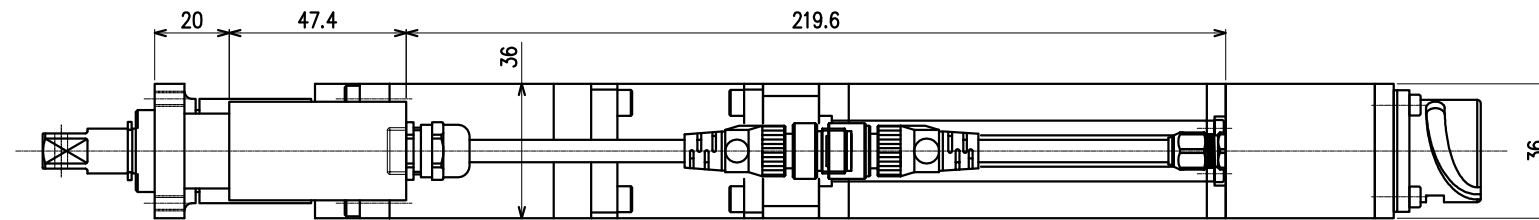



CHANGES			
SYM.	BY	REVISION	DATE
-	BMB	TRANSLATED TO ENGLISH	06/28/13



TOOL SPECIFICATIONS	
FULL SCALE TORQUE	2.0 Kgf-m (20 N-m)
MAX FREE SPEED	1293 RPM
UNIT WEIGHT	2.3 kg

TOLERANCE UNLESS OTHERWISE SPECIFIED  
 INCH METRIC  
 .XX= $\pm 0.01$  .X= $\pm 0.25$   
 .XXX= $\pm 0.005$  .XX= $\pm 0.127$   
 .XXXX= $\pm 0.0005$  .XXX= $\pm 0.0127$   
 ANGLE= $\pm 5^\circ$  ANGLE= $\pm 0.5^\circ$   
 BREAK ALL SHARP CORNERS &  
 EDGES EXCEPT AS NOTED  
 DO NOTE SCALE DRAWING

**NOTICE OF PROPRIETARY RIGHTS**  
 The design concepts and engineering detail embodied in this drawing are the property of FEC INC. and are to be maintained in strict confidence; no element or detail of this drawing is to be disclosed nor used without the express written permission of FEC INC.

AMT	SYM	SHT	NAME	PART #	MFG.
 FASTENING AUTOMATION www.fec-usa.com					
DES. BY	DET. BY	TITLE			
CHK. BY	SAFETY OK	TOOL ASSEMBLY DRAWING FOR A CFT-201RS1-O TOOL			
DATE	SCALE	DRAWING NO.			
03/07/13	FULL	CFT-201RS1-O			
SHEET	SHEETS				