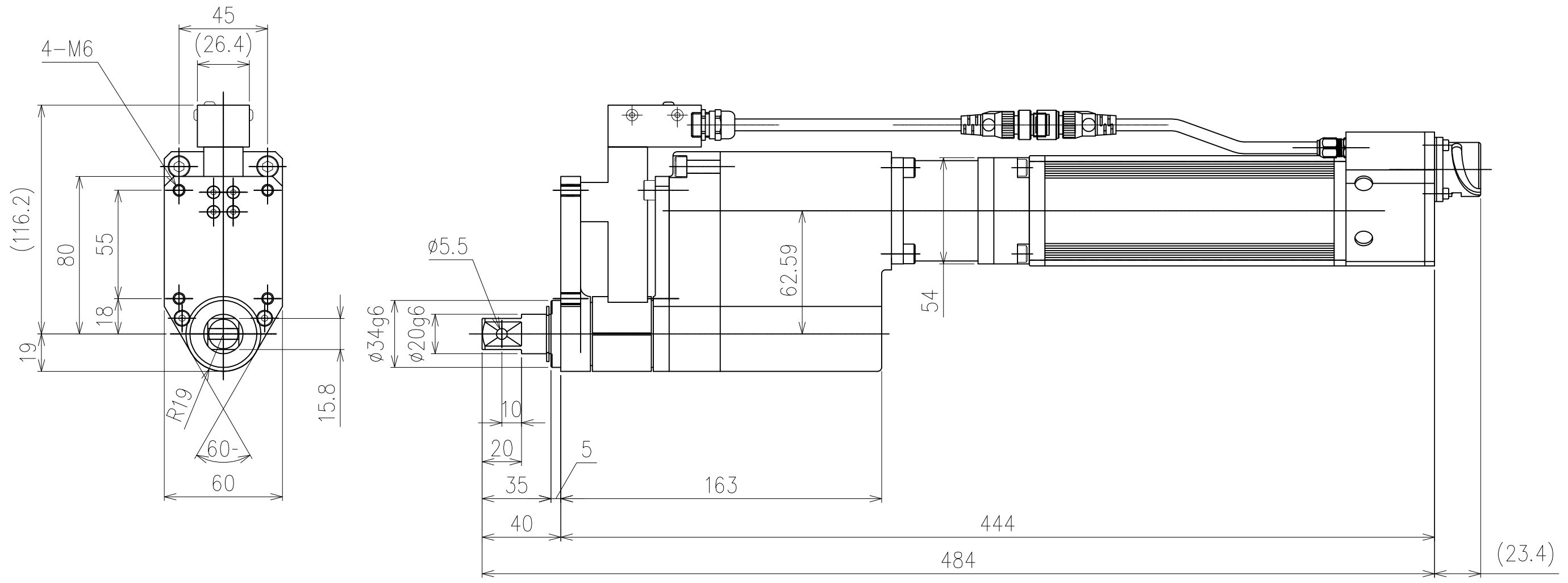


CHANGES			
SYM.	BY	REVISION	DATE
-	PAG	TRANSLATED TO ENGLISH	10/20/16



TOOL SPECIFICATIONS	
FULL SCALE TORQUE	13.3 Kgf-m (130 N-m)
MAX FREE SPEED	574 RPM
UNIT WEIGHT	7.5 Kg

TOLERANCE UNLESS OTHERWISE SPECIFIED
 INCH METRIC
 .XX=±.01 .X=±.25
 .XXX=±.005 .XX=±.127
 .XXX=±.0005 .XXX=±.0127
 ANGLE=±.5° ANGLE=±.5°
 BREAK ALL SHARP CORNERS &
 EDGES EXCEPT AS NOTED
 DO NOTE SCALE DRAWING

NOTICE OF PROPRIETARY RIGHTS
 The design concepts and engineering detail embodied in this drawing are the property of FEC INC. and are to be maintained in strict confidence; no element or detail of this drawing is to be disclosed nor used without the express written permission of FEC INC.

DES.BY	DET.BY	TITLE
		TOOL ASSEMBLY DRAWING FOR A CFT-132RS3-01 TOOL
CHK.BY	SAFETY OK	
DATE	SCALE	DRAWING NO.
09/16	FULL	CFT-132RS3-01
SHEET	SHEETS	

AMT | SYM | SHT | NAME | PART # | MFG.

FEC INC. FASTENING AUTOMATION www.fec-usa.com