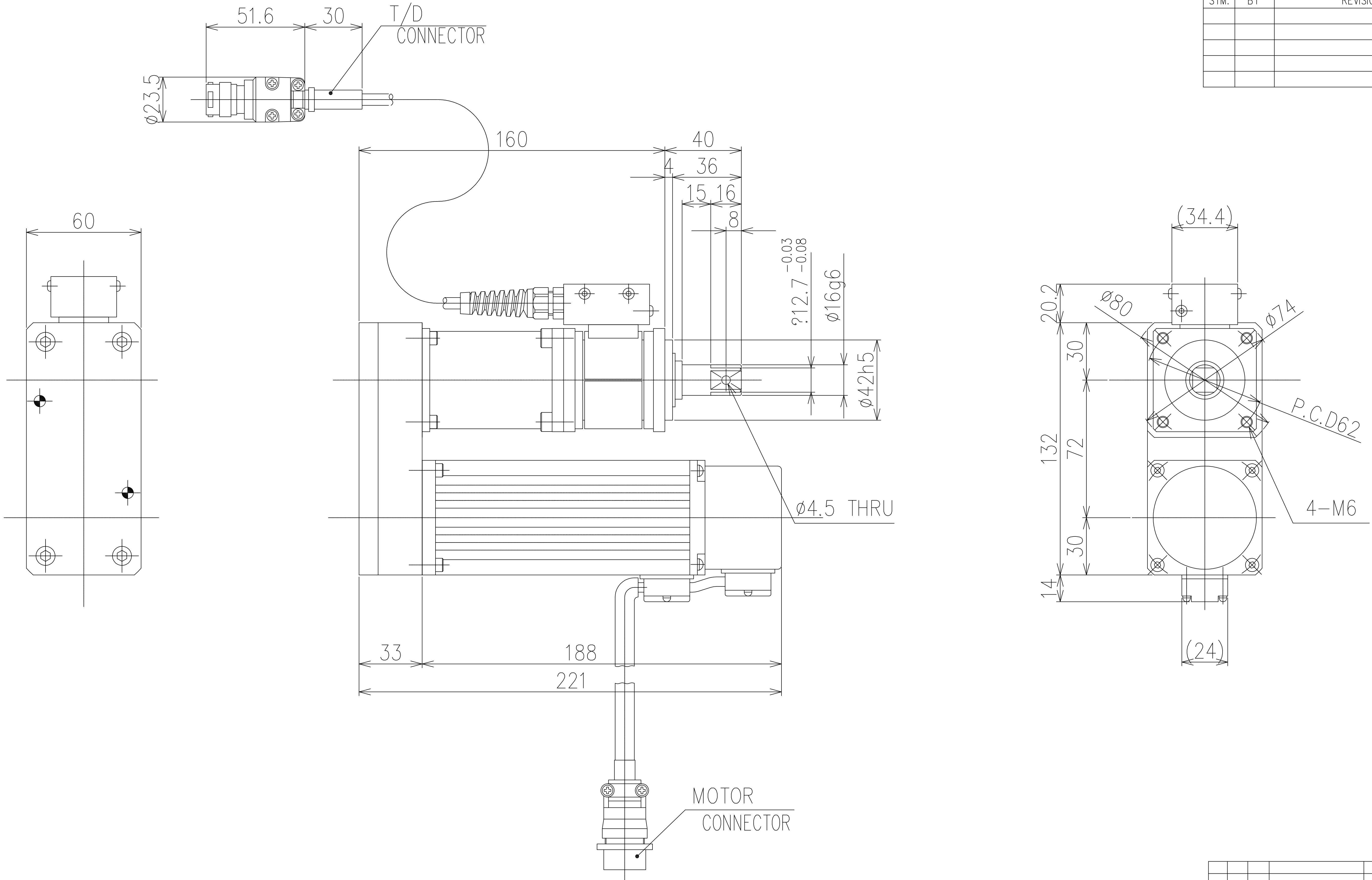


CHANGES			
SYM.	BY	REVISION	DATE



- 1) FULL SCALE TORQUE 8 KGF-M (78.4 N-m)
- 2) MAX FREE SPEED 500 R.P.M.
- 3) WEIGHT

TOLERANCE UNLESS OTHERWISE SPECIFIED
 INCH METRIC
 .XX=±.01 .X=±.25
 .XXX=±.005 .XX=±.127
 .XXXX=±.0005 .XXX=±.0127
 ANGLE=±.5° ANGLE=±.5°
 BREAK ALL SHARP CORNERS &
 EDGES EXCEPT AS NOTED
 DO NOTE SCALE DRAWING

NOTICE OF PROPRIETARY RIGHTS
 The design concepts and engineering detail embodied in this drawing are the property of FEC INC. and are to be maintained in strict confidence; no element or detail of this drawing is to be disclosed nor used without the express written permission of FEC INC.

AMT	SYM	SHT	NAME	PART #	MFG.

	DES.BY	DET.BY	TITLE
	CHK.BY	SAFETY OK	TOOL ASSEMBLY DRAWING FOR A NFT-801RM3-SU
DATE 7/14/15	SCALE FULL	DRAWING NO. NFT-801RM3-SU	
SHEET	SHEETS	MFG. 51327 QUADRATE DRIVE MACOMB TWP, MI 48042 OFFICE: (586) 781-2100	