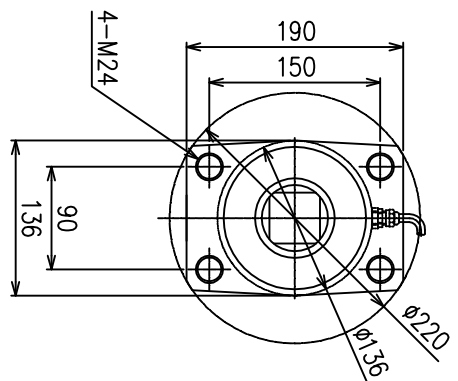
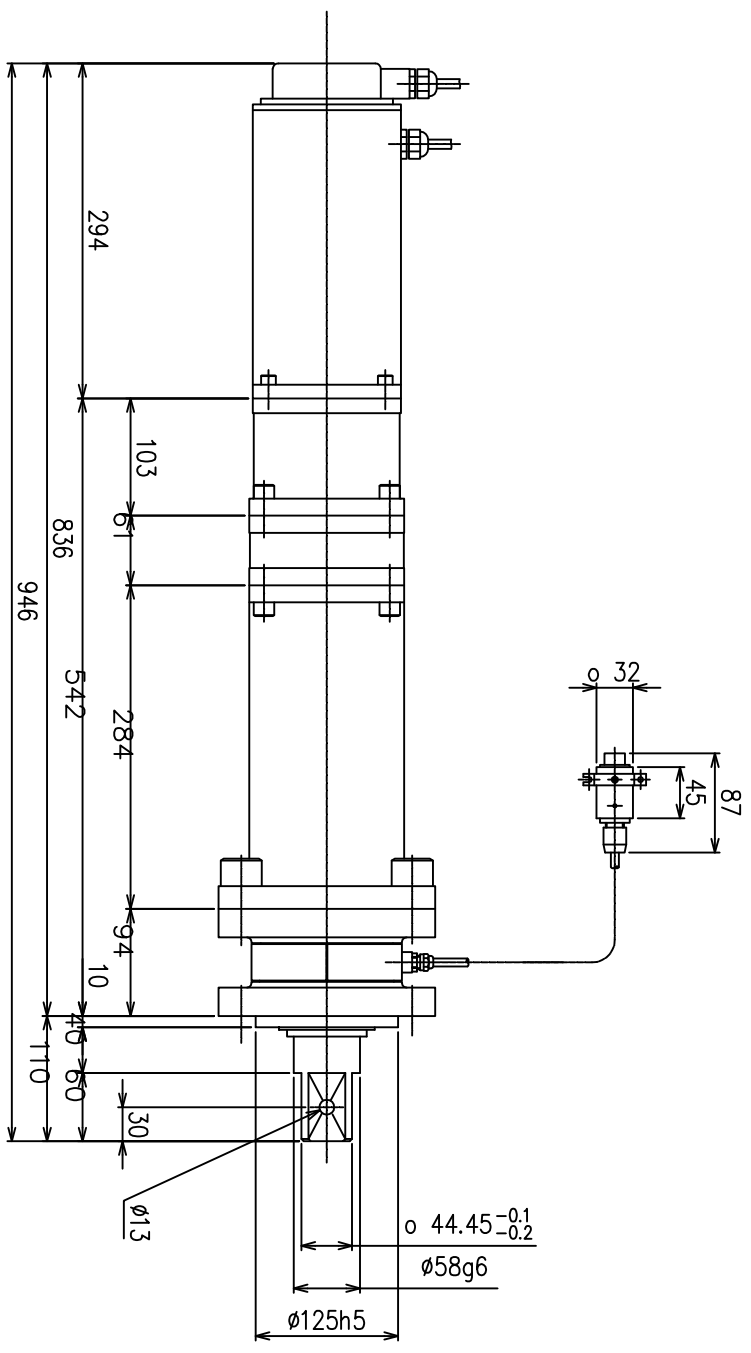


REV	DATE	BY	CHKD	DESCRIPTION
1	25/11/20			ISSUED TO PRODUCTION



1. FULL SCALE TORQUE 400 Kqfm (3925Nm)
2. MAX FREE SPEED 39 RPM
3. (WEIGHT) 70 Kg

TO EXAMINE UNLESS OTHERWISE SPECIFIED

INCH	XX-4-11	METRIC	XX-4-15
XX-4-18		XX-4-17	
XX-4-19		XX-4-18	
XX-4-20		XX-4-19	
XX-4-21		XX-4-20	
XX-4-22		XX-4-21	
XX-4-23		XX-4-22	
XX-4-24		XX-4-23	
XX-4-25		XX-4-24	
XX-4-26		XX-4-25	
XX-4-27		XX-4-26	
XX-4-28		XX-4-27	
XX-4-29		XX-4-28	
XX-4-30		XX-4-29	
XX-4-31		XX-4-30	
XX-4-32		XX-4-31	
XX-4-33		XX-4-32	
XX-4-34		XX-4-33	
XX-4-35		XX-4-34	
XX-4-36		XX-4-35	
XX-4-37		XX-4-36	
XX-4-38		XX-4-37	
XX-4-39		XX-4-38	
XX-4-40		XX-4-39	
XX-4-41		XX-4-40	
XX-4-42		XX-4-41	
XX-4-43		XX-4-42	
XX-4-44		XX-4-43	
XX-4-45		XX-4-44	
XX-4-46		XX-4-45	
XX-4-47		XX-4-46	
XX-4-48		XX-4-47	
XX-4-49		XX-4-48	
XX-4-50		XX-4-49	

1. DO NOT SCALE DRAWING.
 2. BREAK ALL SHARP CORNERS & EDGES EXCEPT AS NOTED.
 3. DIMENSIONS ARE IN MILLIMETERS UNLESS OTHERWISE SPECIFIED.
 4. APPLY LOCK-TITE TO ALL SCREWS.

NOTICE OF PROPRIETARY RIGHTS: This drawing is the property of PCC INC. and shall be used only for the purposes specified. It is not to be reproduced, copied, or distributed in any form without the express written permission of PCC INC.

REV	DATE	BY	CHKD	DESCRIPTION
1	25/11/20			ISSUED TO PRODUCTION

DATE: 25/11/20
 DRAWN BY: [Name]
 CHECKED BY: [Name]
 APPROVED BY: [Name]
 PCC INC. 10000 W. 10th Ave. Denver, CO 80202-2122
 PCC-14389MS-5