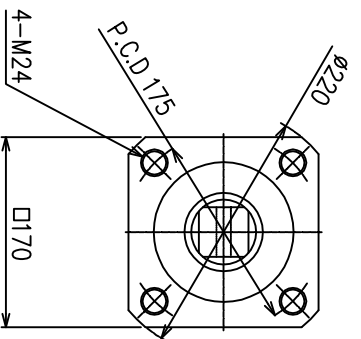


- 1. FULL SCALE TORQUE 2490 N.m
- 2. MAX FREE SPEED 39 RPM
- 3. WEIGHT 70 Kg



CHANGES	DATE	REVISION	BY	SYL
CHANGED TO ENGLISH	5/19/05			

TOLERANCE UNLESS OTHERWISE SPECIFIED
 INCH: .XXX±.01
 .XXX±.005
 .XXX±.006
 ANGLE±.5°
 METRIC: .X±.25
 .X±.127
 .X±.127
 ANGLE±.5°
 1. DO NOT SCALE DRAWING.
 2. BREAK ALL SHARP CORNERS & EDGES EXCEPT AS NOTED.
 3. ALL DIMENSIONS UNDER
 4. APPLY LOC-TITE TO ALL SCREWS.

NOTICE OF PROPRIETARY RIGHTS
 The design concepts and engineering details embodied in this drawing are the property of Festo North America, Inc. and are not to be reproduced, stored in a retrieval system, or transmitted in any form or by any means, electronic, mechanical, photocopying, recording, or by any information storage and retrieval system without the written permission of Festo Inc.

DATE	SCALE	BY	CHKD	APP'D	REV.
05/19/05	SCALE				

DRAWING TITLE: TORQUE WRENCH
 PART NO.: 5039M4-S
 METRIC REF. DIMS. # DU-0253 2/2
 MFG. PART: 5039M4-S