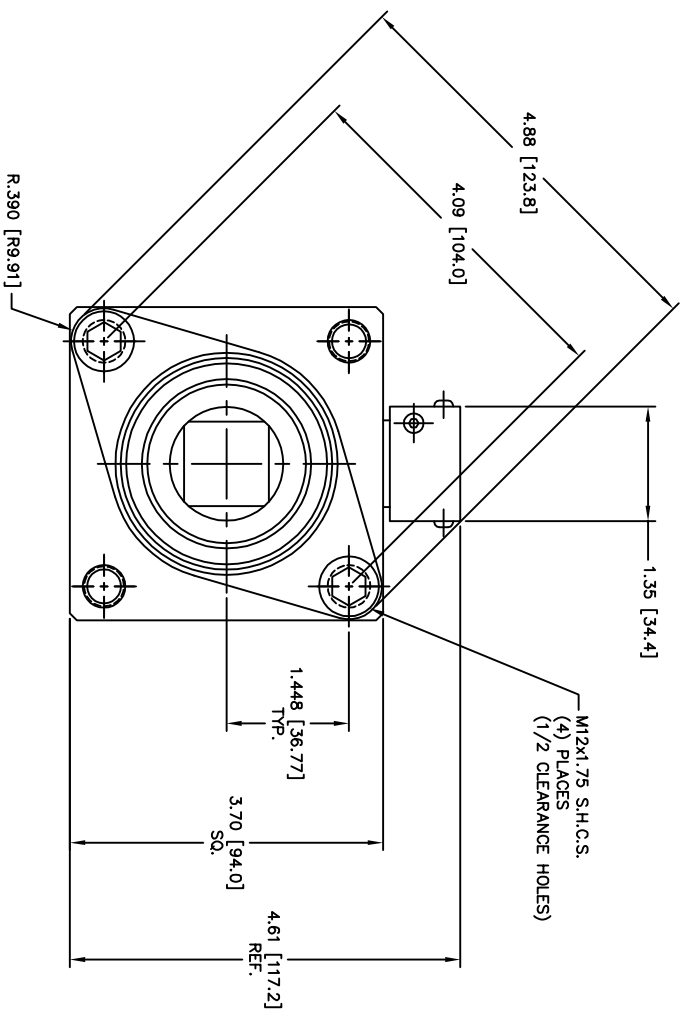
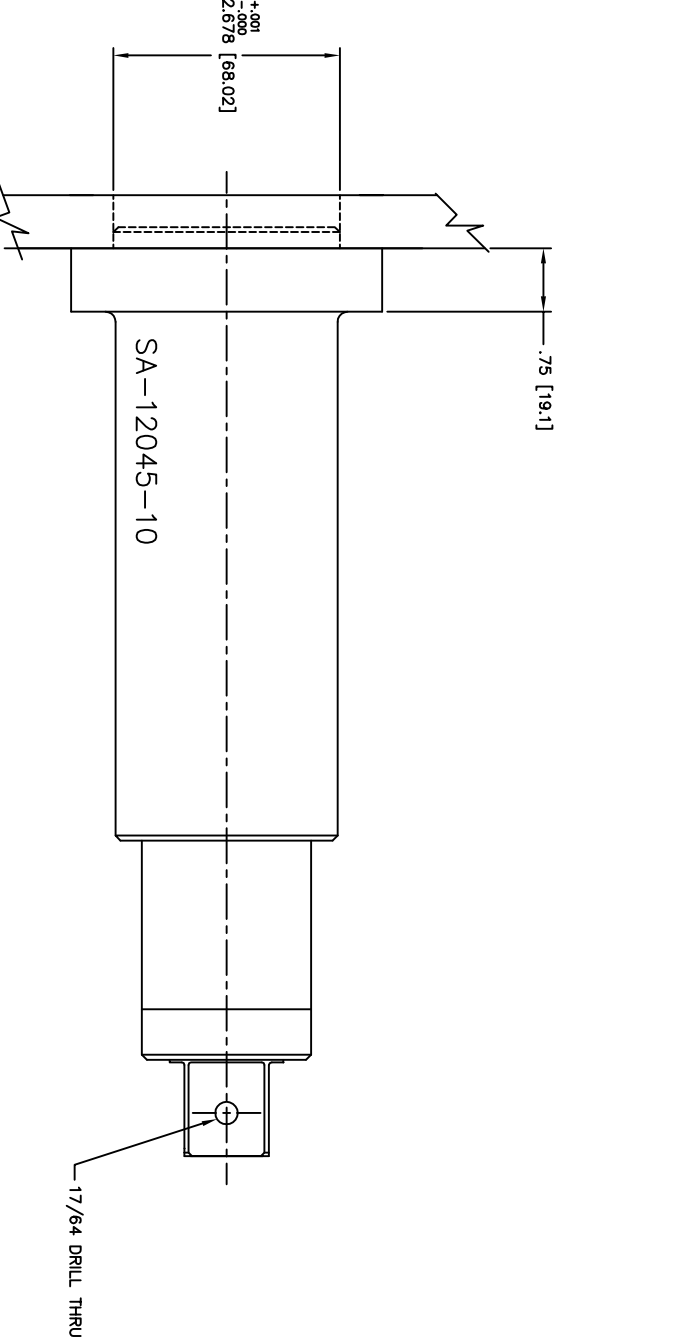
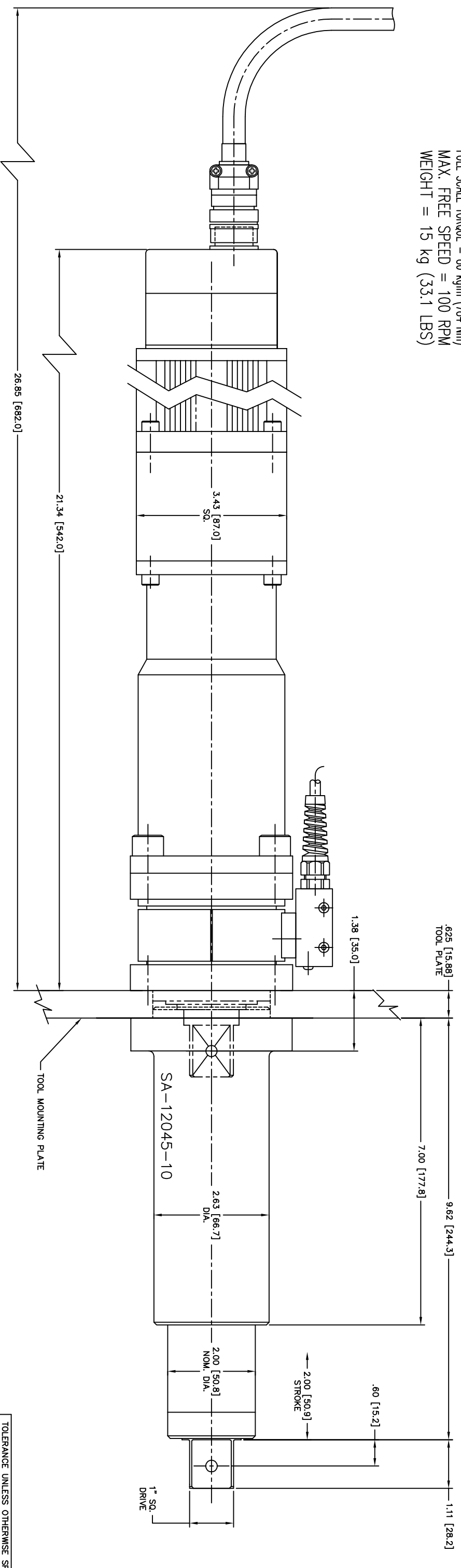


TOOL & SPINDLE ASSEMBLY TOGETHER

NFT-802RM4-S

FULL SCALE TORQUE = 80 kgfm (784 Nm)
MAX. FREE SPEED = 100 RPM
WEIGHT = 15 kg (33.1 LBS)



TOLERANCE UNLESS OTHERWISE SPECIFIED

INCH	METRIC
.XX±.01	.X±.25
.XXX±.005	.XXX±.127
.XXXX±.0005	.XXXX±.0127
ANGLE±.5°	ANGLE±.5°

- DO NOT SCALE DRAWING.
- BREAK ALL SHARP CORNERS & EDGES EXCEPT AS NOTED.
- USE HI-COLLAR LOCKWASHERS UNDER ALL SOC. HD. SCREWS.
- APPLY LOCK-TITE TO ALL SCREWS.

NOTICE OF PROPRIETARY RIGHTS
The design concepts and engineering detail embodied in this drawing are the property of FEC INC. and are to be maintained in strict confidence; no element or detail of this drawing is to be disclosed nor used without the express written permission of FEC INC.

REV	BY	REVISION	DATE

CHANGES

DATE	SCALE	SHEET	SHEETS	DRAWING NO.	DRIVE
10/12/06	FULL	1	1	NFT-802RM4-S W/SA-12045-10	2" STROKE

ART	SYM	SHR	NAME	PART #

DESIGN	DETAILED	TITLE	FASTENING	51327 QUADRANT DRIVE
FEC	BMB	SPINDLE ADAPTOR FOR	MACOMB TWP. MI 48042	
CHK BY	SHEVY OK	NFT-802RM4-S	OFFICE (388) 781-2100	
DATE	SCALE			
10/12/06	FULL			
1	1" DIA.			