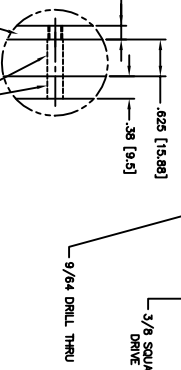
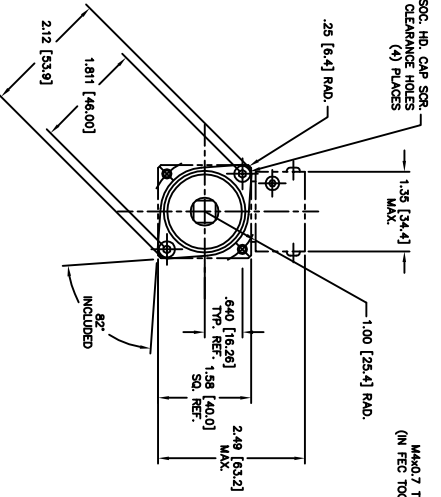
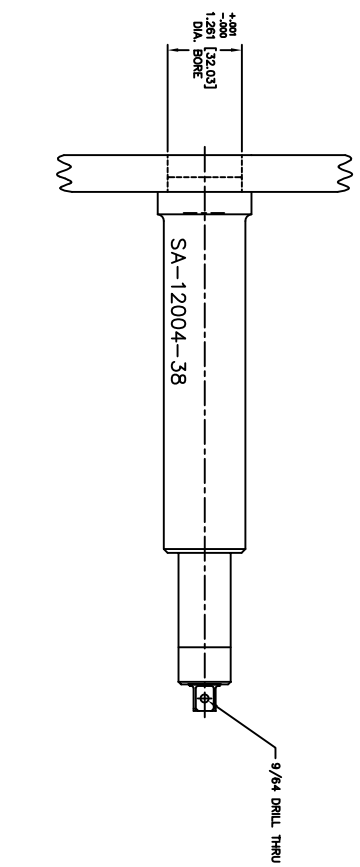
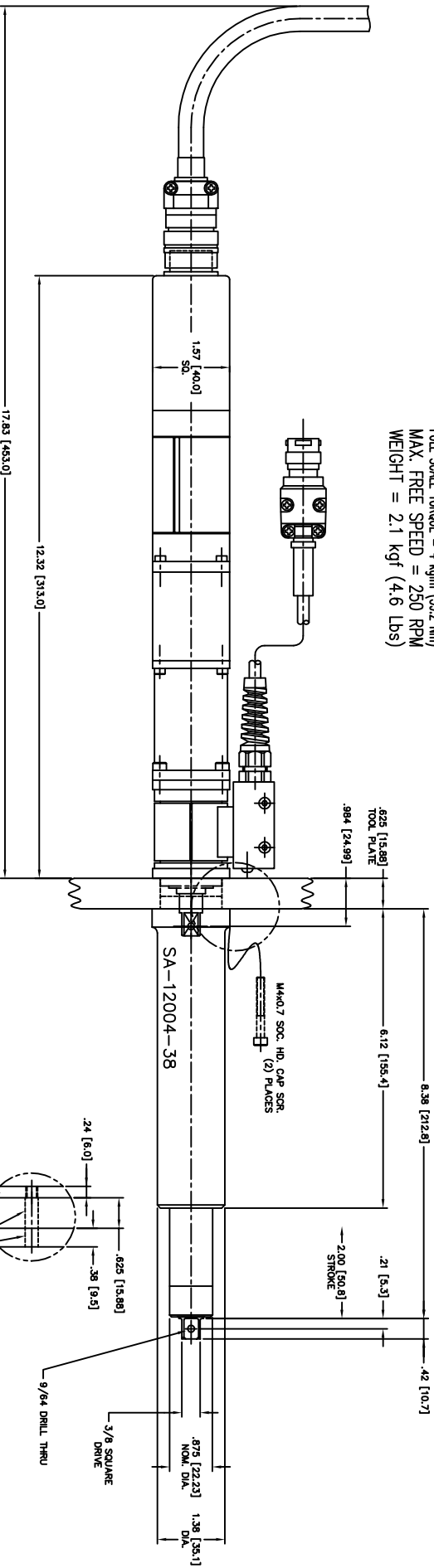


# TOOL & SPINDLE ASSEMBLY TOGETHER

NFT-401RM1A-S

FULL SCALE TORQUE = 4 kgm (39.2 Nm)  
MAX. FREE SPEED = 250 RPM  
WEIGHT = 2.1 kgf (4.6 Lbs)



**TOLERANCE UNLESS OTHERWISE SPECIFIED**

INCHES	FRAC.	DEC.
.001	±.01	.005
.005	±.005	.010
.010	±.005	.015
.015	±.005	.020
.020	±.005	.025
.030	±.005	.030
.040	±.005	.040
.050	±.005	.050
.060	±.005	.060
.070	±.005	.070
.080	±.005	.080
.090	±.005	.090
.100	±.005	.100
.125	±.005	.125
.150	±.005	.150
.175	±.005	.175
.200	±.005	.200
.250	±.005	.250
.300	±.005	.300
.375	±.005	.375
.450	±.005	.450
.500	±.005	.500
.625	±.005	.625
.750	±.005	.750
.875	±.005	.875
1.000	±.005	1.000
1.125	±.005	1.125
1.250	±.005	1.250
1.375	±.005	1.375
1.500	±.005	1.500
1.750	±.005	1.750
2.000	±.005	2.000
2.500	±.005	2.500
3.000	±.005	3.000
3.500	±.005	3.500
4.000	±.005	4.000
5.000	±.005	5.000
6.000	±.005	6.000
7.000	±.005	7.000
8.000	±.005	8.000
9.000	±.005	9.000
10.000	±.005	10.000

1. DO NOT SCALE DIMENSIONS  
2. EDGES EXCEPT AS NOTED.  
3. USE HI-COLLAR LOCKWASHERS UNDER ALL SOC. HD. SCREWS.  
4. APPL. LOCK-WIT TO ALL SCREWS.

NOTICE OF IMPROPERITY RIGHTS

This drawing and the information contained herein are the property of FDC INC. and are to be used only for the purpose intended. Any other use without the express written permission of FDC INC.

DESIGN TITLE	DATE	BY	CHKD
815Z QUADRA DRIVE			
ADAPTER FOR			
SPINDLE ADAPTOR FOR			
NFT-401RM1A-S			
SCALE			
7/8" DIA.			
2" STROKE			
DRAWING NO.			
NFT-401RM1A-S W/SA-12004-38			
SHEET	1		

CHANGES

SNL	BY	REASON	DATE