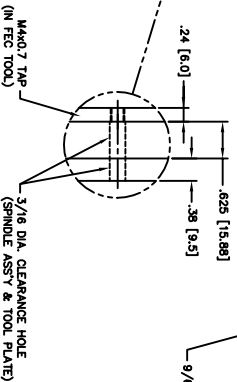
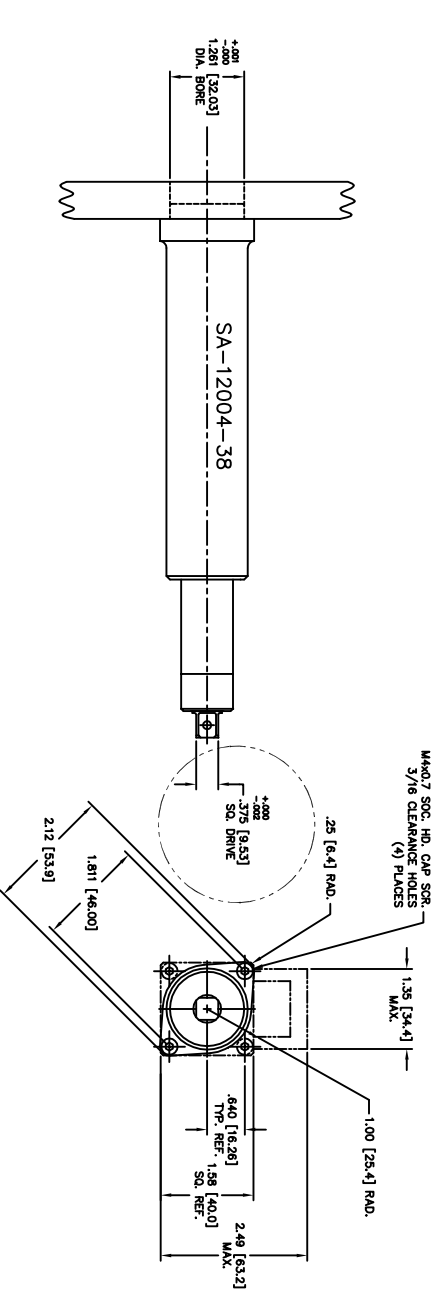
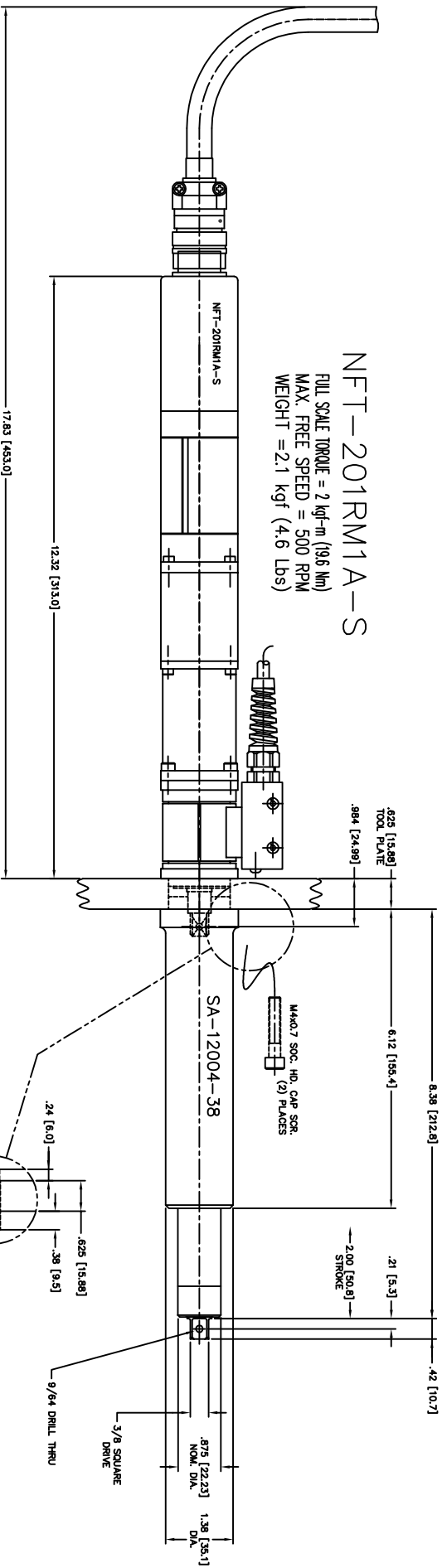


TOOL & SPINDLE ASSEMBLY TOGETHER

NFT-201RM1A-S
 FULL SCALE TORQUE = 2 kgf-m (9.6 Nm)
 MAX. FREE SPEED = 500 RPM
 WEIGHT = 2.1 kgf (4.6 Lbs)



TOLERANCE UNLESS OTHERWISE SPECIFIED

INCHES	MM
XXXX±.01	XXXX±.005
.XXXX±.005	.XXXX±.0005
.XXXX±.0127	.XXXX±.0127
ANGLES±.5°	ANGLES±.5°
1. DO NOT SCALE DIMENSIONS	
2. EDGES EXCEPT AS NOTED.	
3. USE HI-COLLAR LOCKWASHERS UNDER ALL SOG. HD. SCREWS.	
4. APPLIC. LOC-TITE TO ALL SCREWS.	

NOTICE OF PROPRIETARY RIGHTS
 The design, drawings and specifications contained herein are the property of FEC INC. and are to be used only for the purpose intended. No part of this drawing is to be disclosed or used without the express written permission of FEC INC.

DESIGN/	DATE/TITLE	NAME	PART #
CHKD	FEC	SPINDLE ADAPTOR WITH	01527 QUADRA DRIVE
APP	NFT-201RM1A-S		W/SA-12004-38
SCALE	7/8" DIA.		
11/06/03	FULL		
1	1		

SNL	BY	REVISION	DATE