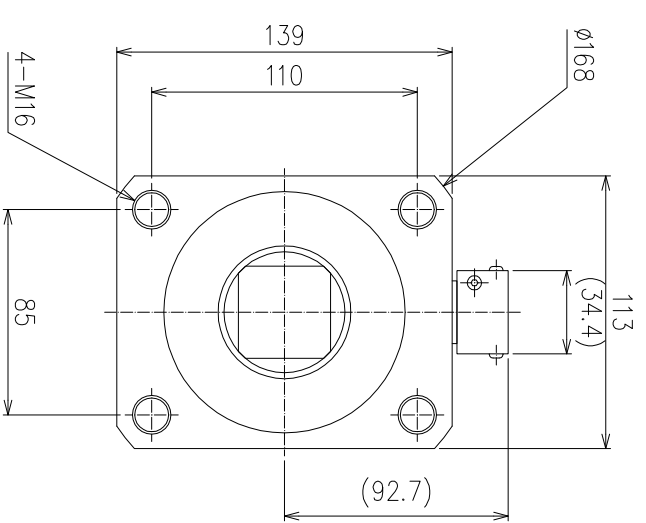
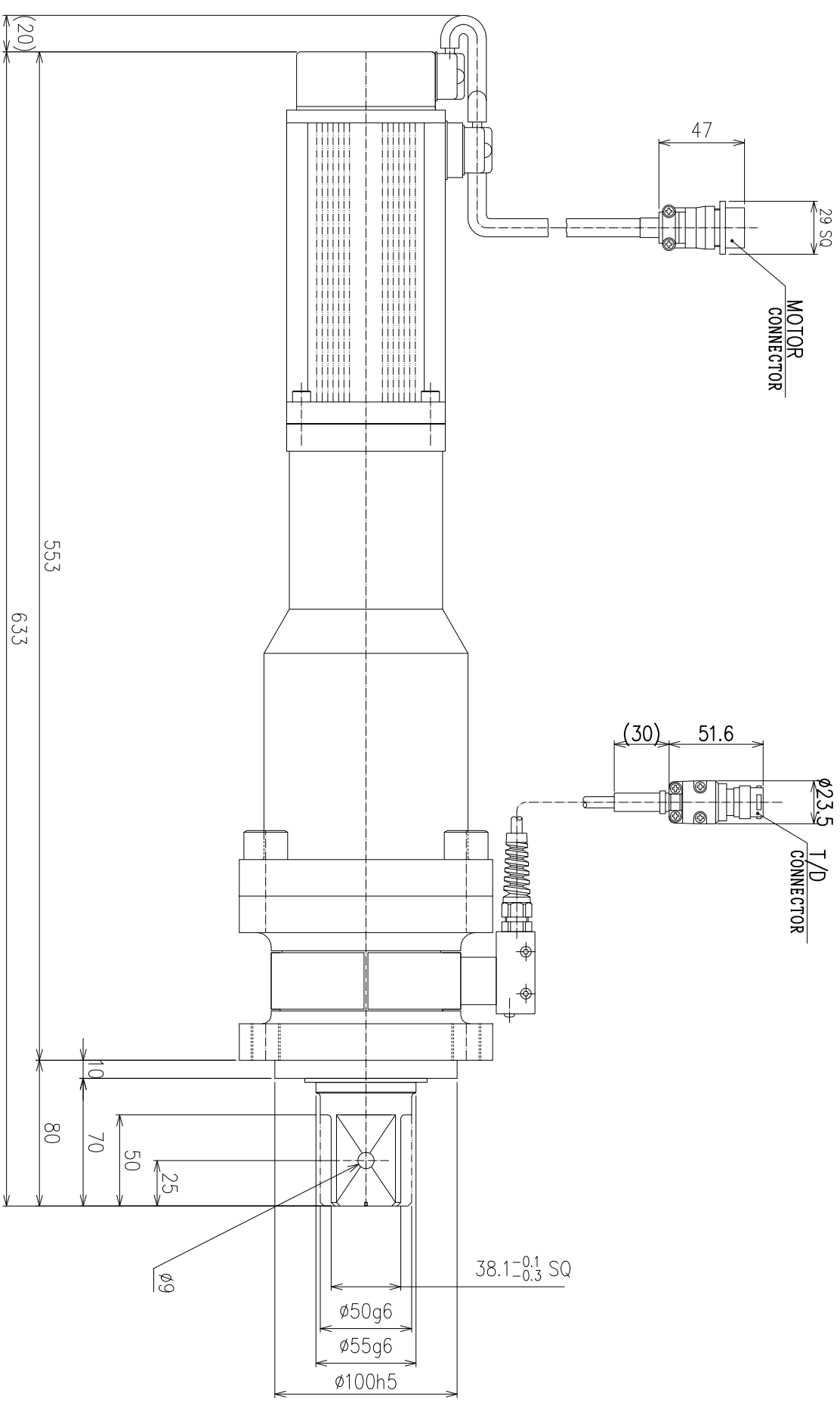


CHANGES			
SYM.	BY	REVISION	DATE
-	X	X	XX/XX/XX



- 1. FULL SCALE TORQUE = 153kgf·m (1500N·m)
- 2. MAX FREE SPEED = 70R.P.M
- 3. WEIGHT = kgf

TOLERANCE UNLESS OTHERWISE SPECIFIED

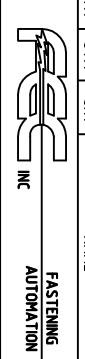
INCH	METRIC
.XX±.01	X±.25
.XXX±.005	.XX±.127
.XXXX±.0005	.XXX±.0127
ANGLE±.5°	ANGLE±.5°

1. DO NOT SCALE DRAWING.
2. BREAK ALL SHARP CORNERS & EDGES EXCEPT AS NOTED.
3. USE HI-COLLAR LOCKWASHERS UNDER ALL SOC. HD. SCREWS.
4. APPLY LOC-TITE TO ALL SCREWS.

NOTICE OF PROPRIETARY RIGHTS

The design concepts and engineering detail embodied in this drawing are the property of FEC INC. and are to be maintained in strict confidence; no element or detail of this drawing is to be disclosed nor used without the express written permission of FEC INC.

AMT	SYM	SHT	NAME	PART #	MFG.



DESIGN	DETBY	TITLE
FEC	FEC	NFT-153RM4H-S
CHK BY	SAFETY OK	
FEC		
DATE	SCALE	
1/5/19	FULL	TOOL OUTLINE - Ref DDK DU-0319
SHEET	SHEETS	DRAWING NO.
1	1	NFT-113RM4H-S