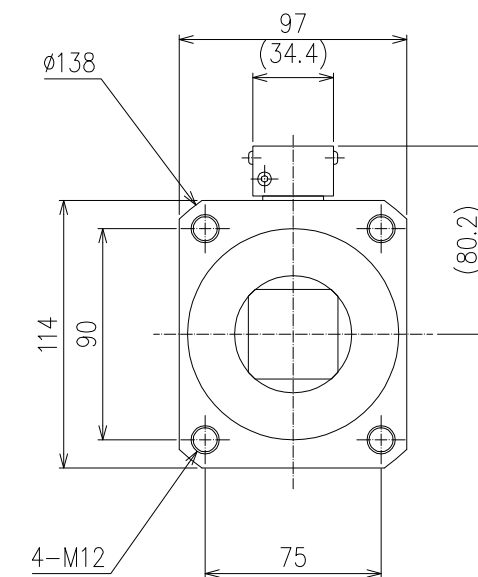
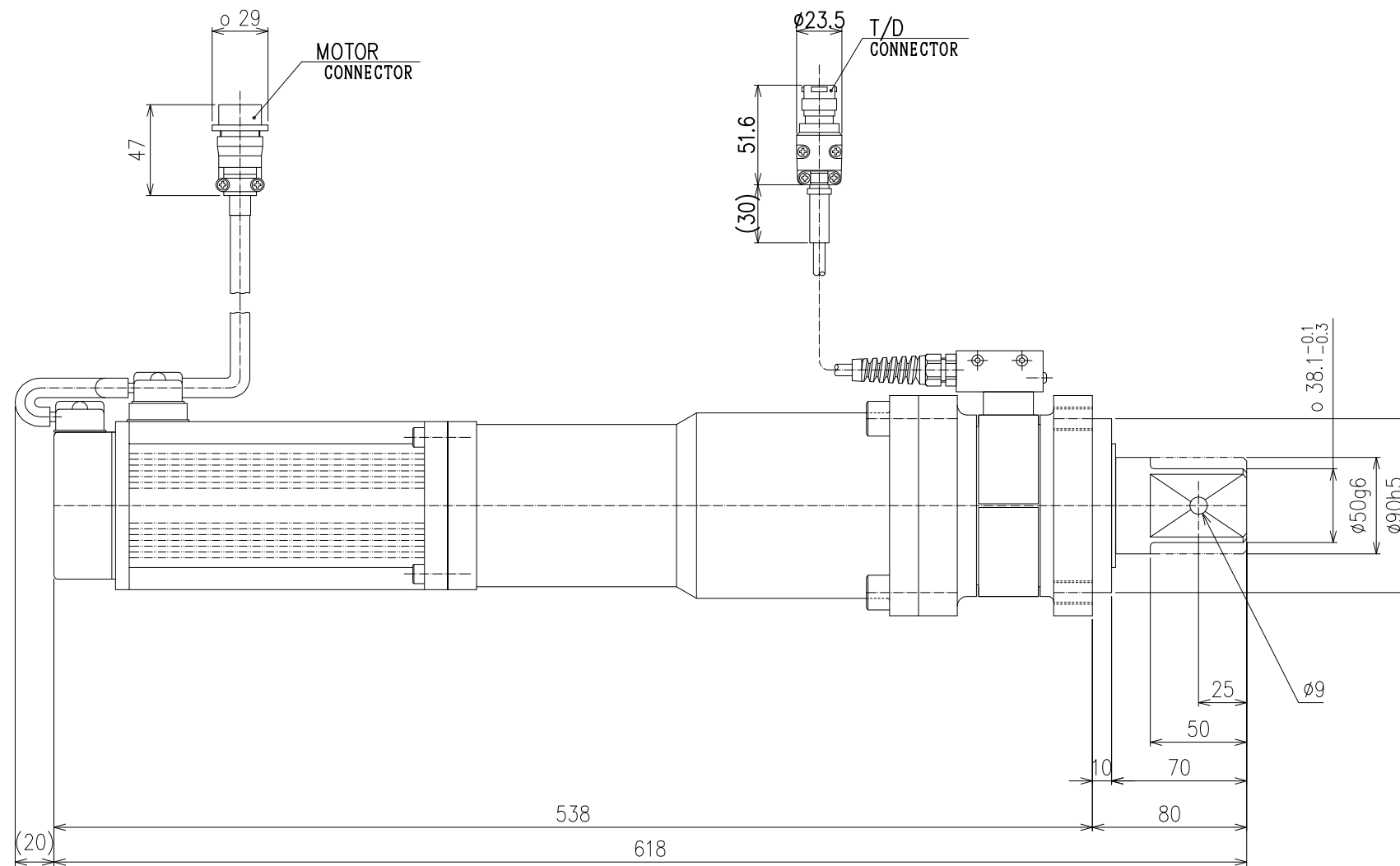


CHANGES			
SYM.	BY	REVISION	DATE
-	X	x	xx/xx/xx



1. FULL SCALE TORQUE: 112.2kgfm (1100Nm)
2. MAX FREE SPEED: 95 RPM
3. WEIGHT: x KGF

TOLERANCE UNLESS OTHERWISE SPECIFIED	
INCH	METRIC
.XX=±.01	.X=±.25
.XXX=±.005	.XX=±.127
.XXXX=±.0005	.XXX=±.0127
ANGLE=±.5°	ANGLE=±.5°

1. DO NOT SCALE DRAWING.
2. BREAK ALL SHARP CORNERS & EDGES EXCEPT AS NOTED.
3. USE HI-COLLAR LOCKWASHERS UNDER ALL SOC. HD. SCREWS.
4. APPLY LOC-TITE TO ALL SCREWS.

NOTICE OF PROPRIETARY RIGHTS
The design concepts and engineering detail embodied in this drawing are the property of FEC INC. and are to be maintained in strict confidence; no element or detail of this drawing is to be disclosed nor used without the express written permission of FEC INC.

AMT	SYM	SHT	NAME	PART #	MFG.

		FASTENING AUTOMATION	
DES.BY FEC	DET.BY FEC	TITLE NFT-113RM4H-S	
CHK.BY FEC	SAFETY OK		
DATE 12/28/09	SCALE FULL	TOOL OUTLINE - Ref DDK DU-D318	
SHEET 1	SHEETS 1	DRAWING NO. NFT-113RM4H-S	