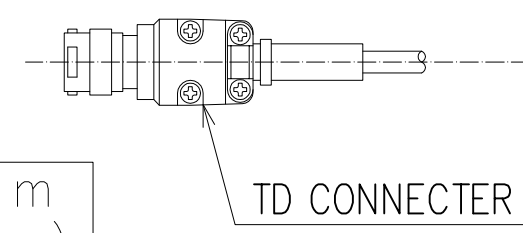
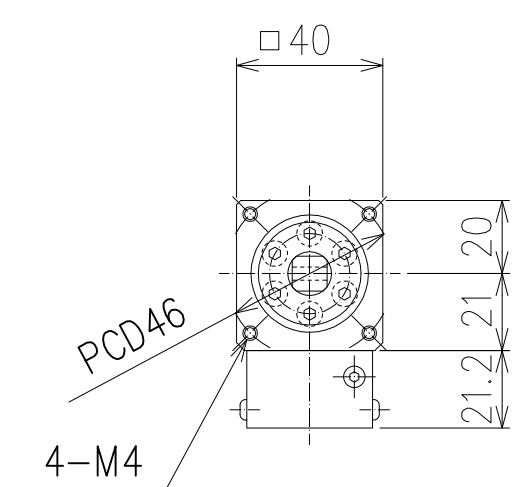
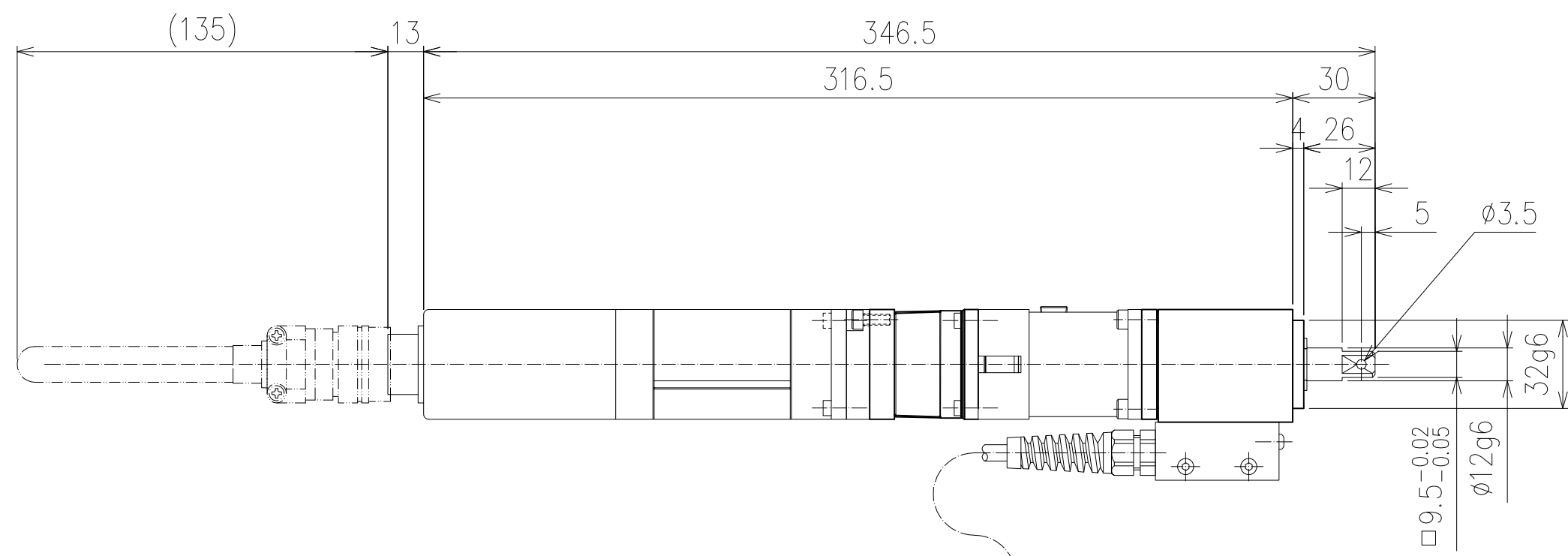
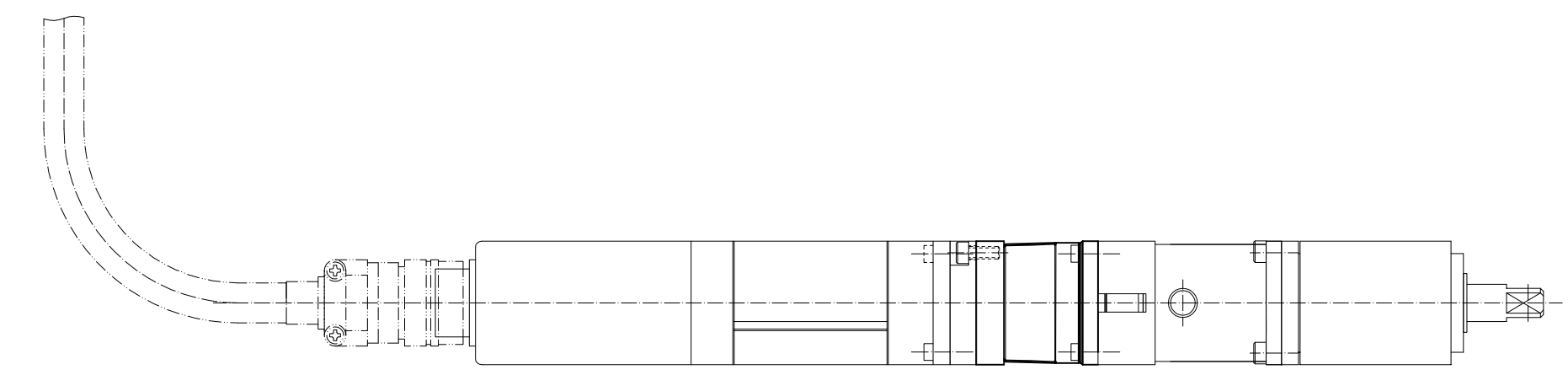


CHANGES			
SYM.	BY	REVISION	DATE
A	-	-	



(FULL SCALE TORQUE)	0.1kgf · m (0.98N · m)
(MAX FREE SPEED)	1100rpm
(WEIGHT)	≒ 2.0kgf

TOLERANCE UNLESS OTHERWISE SPECIFIED

INCH	METRIC
.XX=±.01	.X=±.25
.XXX=±.005	.XX=±.127
.XXXX=±.0005	.XXX=±.0127
ANGLE=±.5°	ANGLE=±.5°

BREAK ALL SHARP CORNERS & EDGES EXCEPT AS NOTED
DO NOTE SCALE DRAWING

NOTICE OF PROPRIETARY RIGHTS

The design concepts and engineering detail embodied in this drawing are the property of FEC INC. and are to be maintained in strict confidence; no element or detail of this drawing is to be disclosed nor used without the express written permission of FEC INC.

AMT	SYM	SHT	NAME	PART #	MFG.

FEC INC. AUTOMATION SYSTEMS WWW.FEC-USA.COM

DES.BY	DET.BY	TITLE
		TOOL ASSEMBLY DRAWING FOR A NFT-010RM1A-SA TOOL
CHK.BY	SAFETY OK	
DATE	SCALE	REF. DDK DWG. DU-D366
4/2017	FULL	
SHEET	SHEETS	DRAWING NO.
		NFT-010RM1A-SA