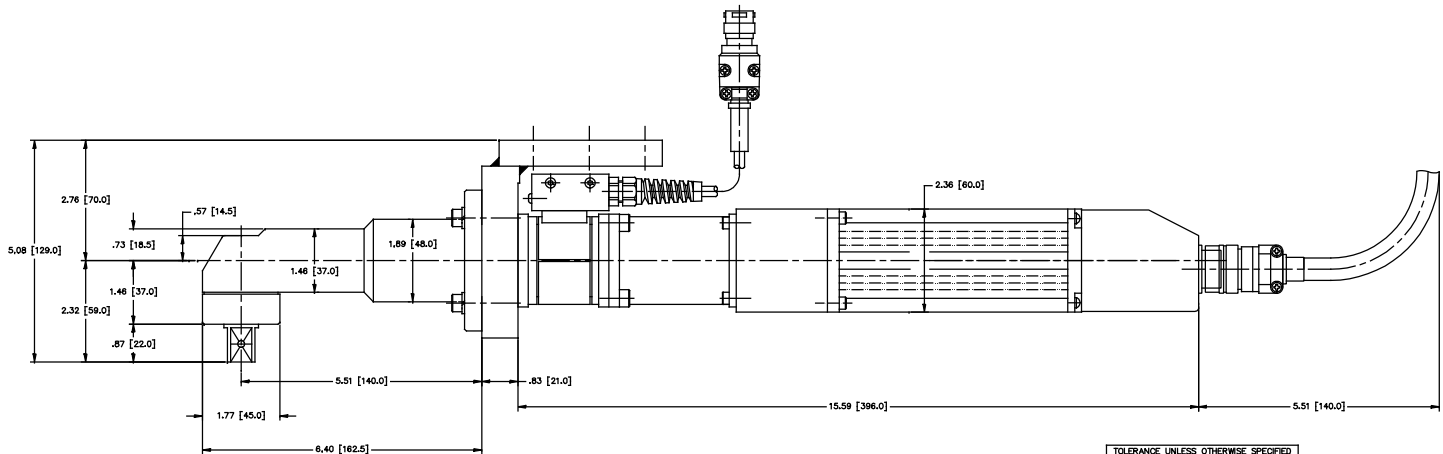
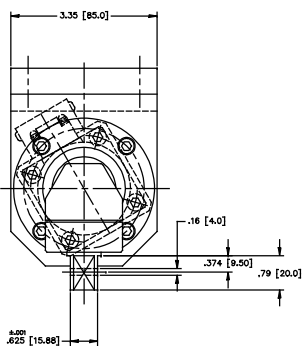
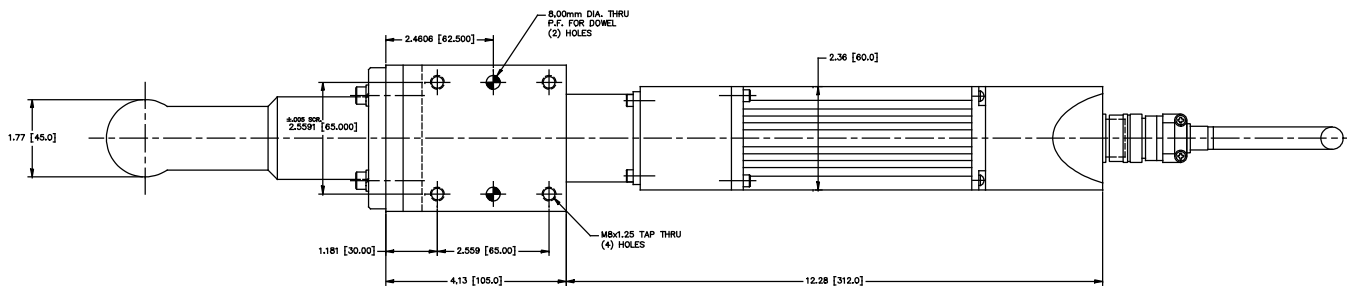


CHANGES			
SYN.	BY	REVISION	DATE
-	BMB	CONVERTED FROM JAPANESE TO ENGLISH	04/01/04



NUTRUNNER TYPE	RATED TORQUE	RATED SPEED
NFT-801RM3A-S	12 Kgfm (118 Nm)	320 RPM

DDK DRAWING NUMBER
DU-A01-A130-□15.88-801

TOLERANCE UNLESS OTHERWISE SPECIFIED
 INCH METRIC
 .XX=±.01 .XX=±.05
 .XXX=±.005 .XXX=±.127
 .XXXX=±.0005 .XXX=±.0127
 ANGLE=±.5° ANGLE=±.5°

- DO NOT SCALE DRAWING.
- BREAK ALL SHARP CORNERS & EDGES EXCEPT AS NOTED.
- USE HI-COLLAR LOCKWASHERS UNDER ALL SOCS. NO. SCREWS.
- APPLY LOC-TITE TO ALL SCREWS.

NOTICE OF PROPRIETARY RIGHTS:
 The design concepts and engineering details embodied in this drawing are the property of FED INC. and are to be maintained in strict confidence, no part or whole of this drawing is to be disclosed or used without the express written permission of FED INC.

REV.	BY	CHKD.	DATE	FILE

AMT	BY	CHKD.	DATE	FILE

REV.	BY	CHKD.	DATE	FILE

REV.	BY	CHKD.	DATE	FILE

REV.	BY	CHKD.	DATE	FILE

REV.	BY	CHKD.	DATE	FILE