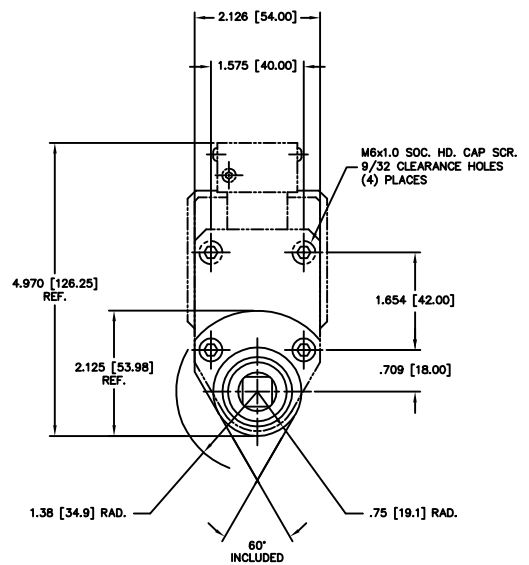
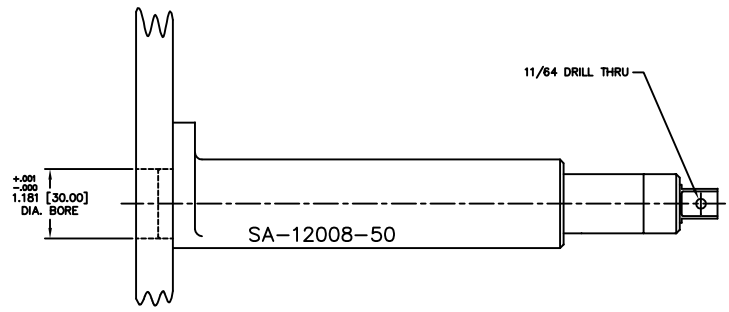
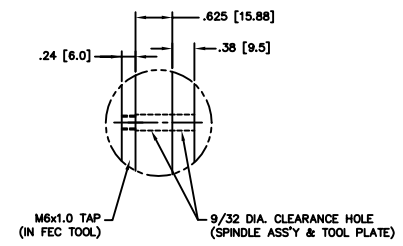
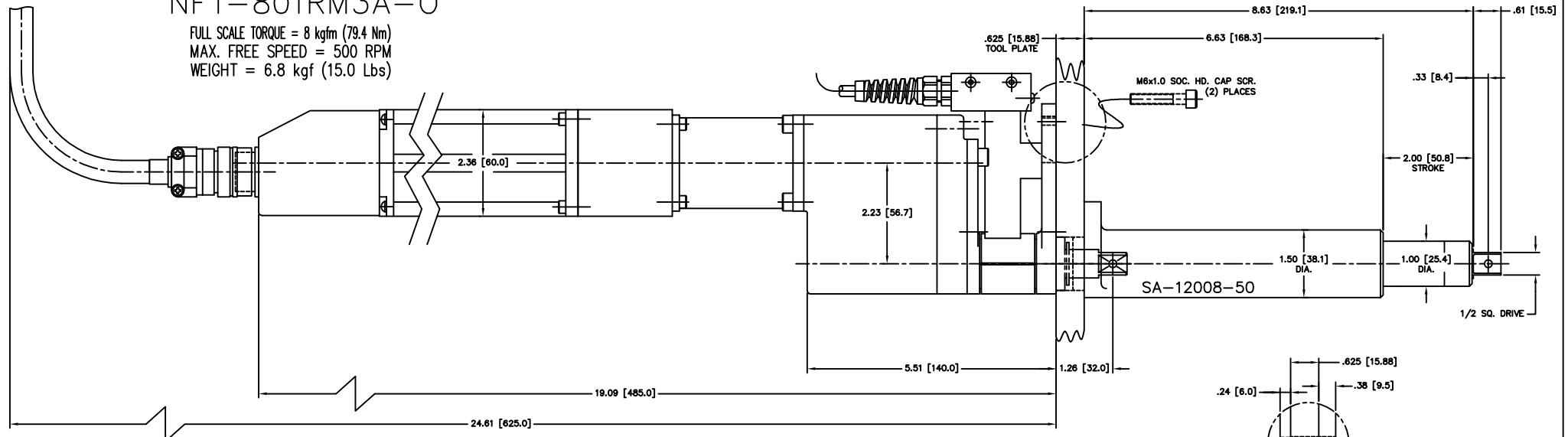


CHANGES			
SYM	BY	REVISION	DATE

TOOL & SPINDLE ASSEMBLY TOGETHER

NFT-801RM3A-0

FULL SCALE TORQUE = 8 kgfm (79.4 Nm)
 MAX. FREE SPEED = 500 RPM
 WEIGHT = 6.8 kgf (15.0 Lbs)



- TOLERANCE UNLESS OTHERWISE SPECIFIED**
- | | |
|--------------|-------------|
| INCH | METRIC |
| .XX=±.01 | .X=±.25 |
| .XXX=±.005 | .XX=±.127 |
| .XXXX=±.0005 | .XXX=±.0127 |
| ANGLE=±.5° | ANGLE=±.5° |
- DO NOT SCALE DRAWING.
 - BREAK ALL SHARP CORNERS & EDGES EXCEPT AS NOTED.
 - USE HI-COLLAR LOCKWASHERS UNDER ALL SOC. HD. SCREWS.
 - APPLY LOC-TITE TO ALL SCREWS.

NOTICE OF PROPRIETARY RIGHTS
 The design concepts and engineering detail embodied in this drawing are the property of FEC INC. and are to be maintained in strict confidence; no element or detail of this drawing is to be disclosed nor used without the express written permission of FEC INC.

AMT	SYM	SHT	NAME	PART #

DESIGN	CHKD BY	DATE	SHEETS	TITLE	DRAWING NO.
FEC	BMB	7/25/02	1	SPINDLE ADAPTOR FOR	NFT-801RM3A-0

DATE: 7/25/02 SCALE: FULL 1" DIA. 2" STROKE
 SHEETS: 1 DRAWING NO.: NFT-801RM3A-0 W/SA-12008-50