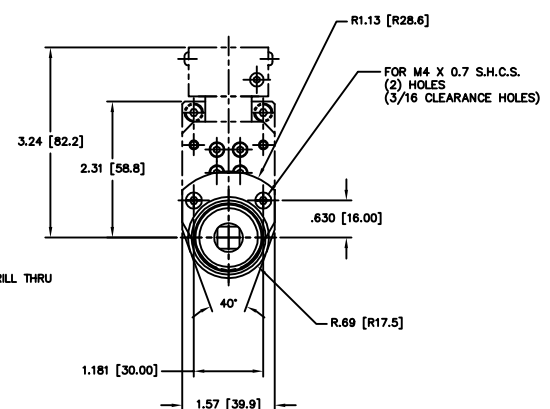
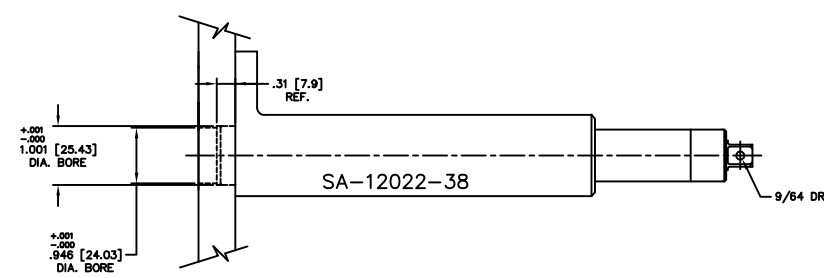
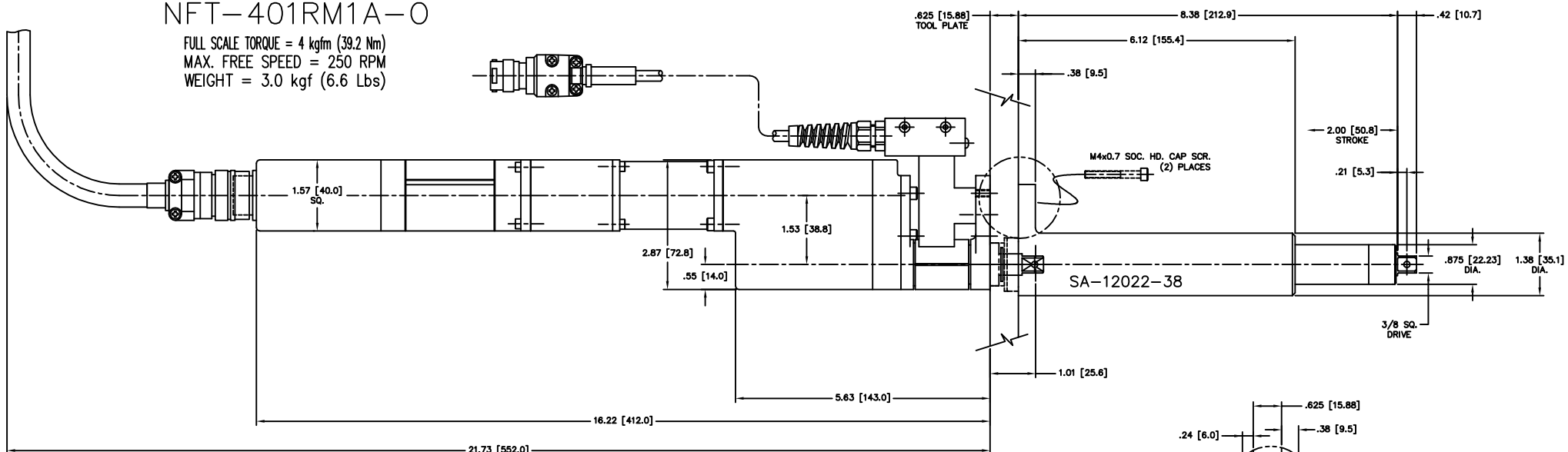


# TOOL & SPINDLE ASSEMBLY TOGETHER

CHANGES			
SYM.	BY	REVISION	DATE

NFT-401RM1A-0

FULL SCALE TORQUE = 4 kgfm (39.2 Nm)  
 MAX. FREE SPEED = 250 RPM  
 WEIGHT = 3.0 kgf (6.6 Lbs)



**TOLERANCE UNLESS OTHERWISE SPECIFIED**

INCH	METRIC
.XX=±.01	.X=±.25
.XXX=±.005	.XX=±.127
.XXXX=±.0005	.XXX=±.0127
ANGLE=±.5°	ANGLE=±.5°

- DO NOT SCALE DRAWING.
- BREAK ALL SHARP CORNERS & EDGES EXCEPT AS NOTED.
- USE HI-COLLAR LOCKWASHERS UNDER ALL SOC. HD. SCREWS.
- APPLY LOC-TITE TO ALL SCREWS.

**NOTICE OF PROPRIETARY RIGHTS**  
 The design concepts and engineering detail embodied in this drawing are the property of FEC INC. and are to be maintained in strict confidence; no element or detail of this drawing is to be disclosed nor used without the express written permission of FEC INC.

AMT	SYM	SHT	NAME	PART #

DES BY BMB	CHK BY FEC	DATE 7/25/02	TITLE SPINDLE ADAPTOR FOR NFT-401RM1A-0
SHEET 1	SHTS 1	SCALE FULL	DRAWING NO. NFT-401RM1A-0 W/SA-12022-38

FASTENING  
 01327 QUADRATE DRIVE  
 MACOMB TWP, MI 48042  
 OFFICE: (586) 781-2100