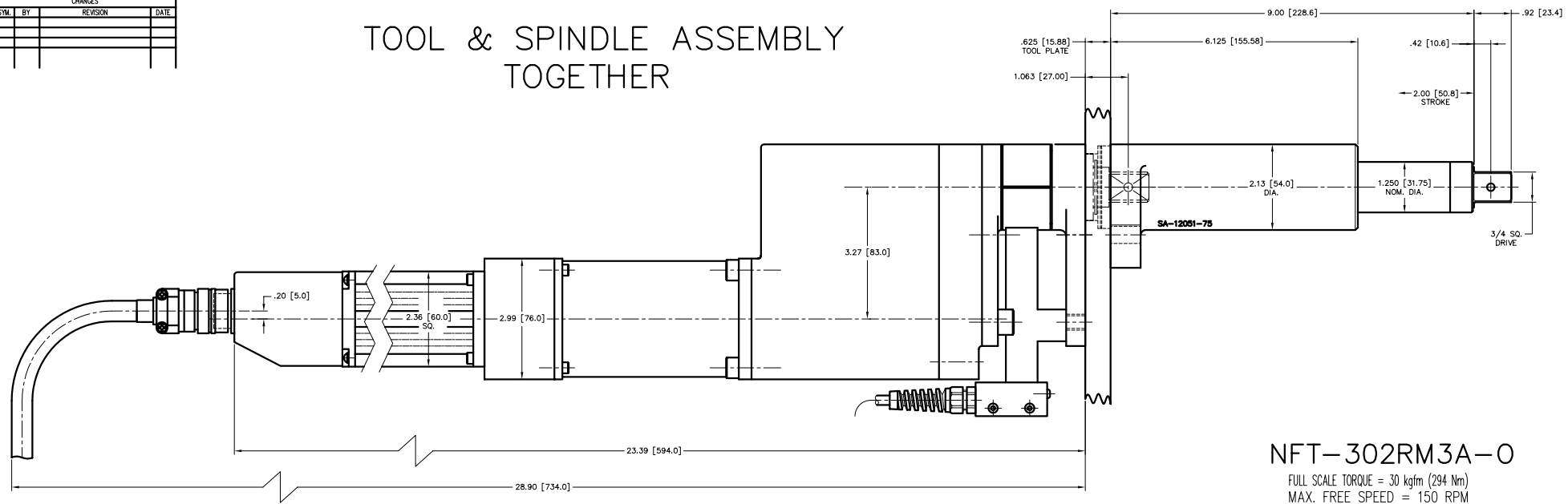
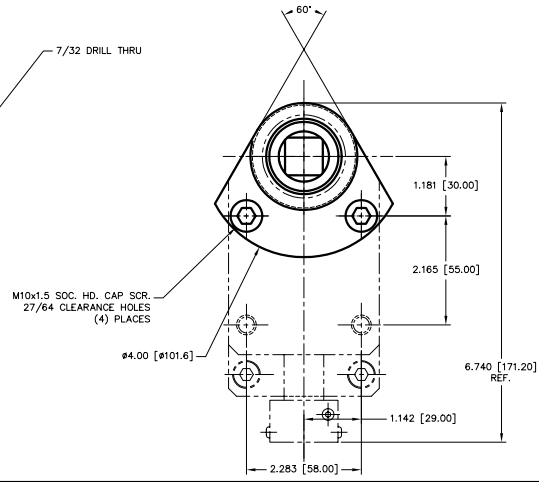
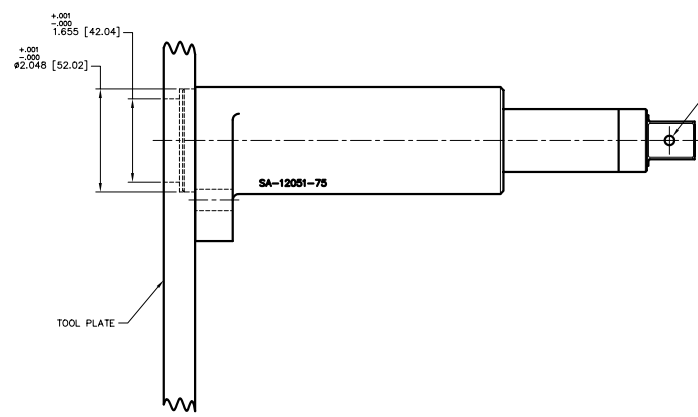


CHANGES			
SYM.	BY	REVISION	DATE

TOOL & SPINDLE ASSEMBLY TOGETHER



NFT-302RM3A-0
 FULL SCALE TORQUE = 30 kgfm (294 Nm)
 MAX. FREE SPEED = 150 RPM
 WEIGHT = 13.5 kgf (29.8 Lbs)



TOLERANCE UNLESS OTHERWISE SPECIFIED
 INCH METRIC
 .XX=±.01 .X=±.25
 .XXX=±.005 .XX=±.127
 .XXX=±.0005 .XXX=±.0127
 ANGLE=±.5° ANGLE=±.5°

- DO NOT SCALE DRAWING.
- BREAK ALL SHARP CORNERS & EDGES EXCEPT AS NOTED.
- USE HI-COLLAR LOCKWASHERS UNDER ALL SOC. HD. SCREWS.
- APPLY LOC-TITE TO ALL SCREWS.

NOTICE OF PROPRIETARY RIGHTS
 The design, concepts and engineering effort embodied in this drawing are the property of FEC INC. and are to be maintained in strict confidence; no element or detail of this drawing is to be disclosed nor used without the express written permission of FEC INC.

DESIGN	DATE	TITLE
FEC	BMB	SPINDLE ADAPTOR FOR
FEC	SAFETY OK	NFT-302RM3A-0
DATE	SCALE	DRAWING NO.
10/13/06	FULL	1-1/4" DIA. 2" STROKE
SHEET	SHEETS	DRAWING NO.
1	1	NFT-302RM3A-0 W/SA-12051-75