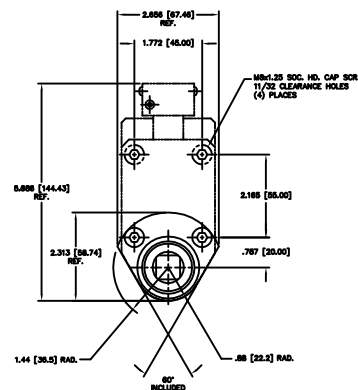
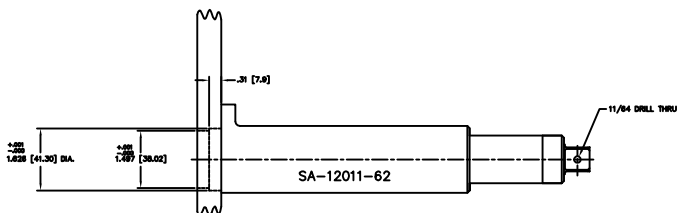
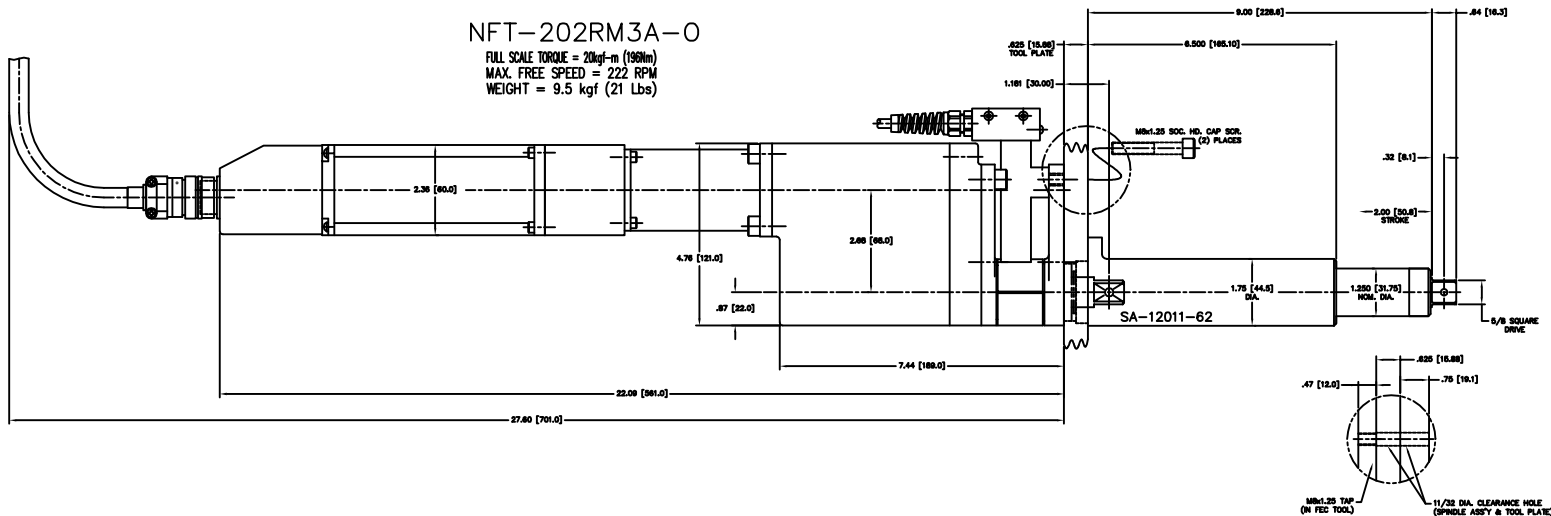


TOOL & SPINDLE ASSEMBLY TOGETHER

DATE	BY	REVISION	SIZE

NFT-202RM3A-0

FULL SCALE TORQUE = 20kgf-m (198Nm)
 MAX. FREE SPEED = 222 RPM
 WEIGHT = 9.5 kgf (21 Lbs)



TOLERANCE UNLESS OTHERWISE SPECIFIED

INCH	METRIC
.125-0.40	.01
.40-0.005	.0025
.0005-0.0005	.00127
ANGLE 1/4°	

- DO NOT SCALE DRAWING
- BREAK ALL SHARP CORNERS & EDGES EXCEPT AS NOTED
- USE 16-COLLAR LOCKWASHERS UNDER ALL SOC. HD. SCREWS
- APPLY LOC-TITE TO ALL SCREWS

NOTE OF APPROVED REVISIONS:
 The details, on this and subsequent sheets contained in this drawing, are the property of FEE INC. and are to be maintained in strict confidence. No amount or part of this drawing is to be disclosed or used without the express written permission of FEE INC.

REV	DATE	BY	NAME	SHEET #

REV	DATE	BY	NAME	SHEET #
1				1

TITLE SPINDLE ASSEMBLY
DATE 11-27-2020
APPROVED [Signature]
DRWING NO. NFT-202RM3A-0 W/SA-12011-62