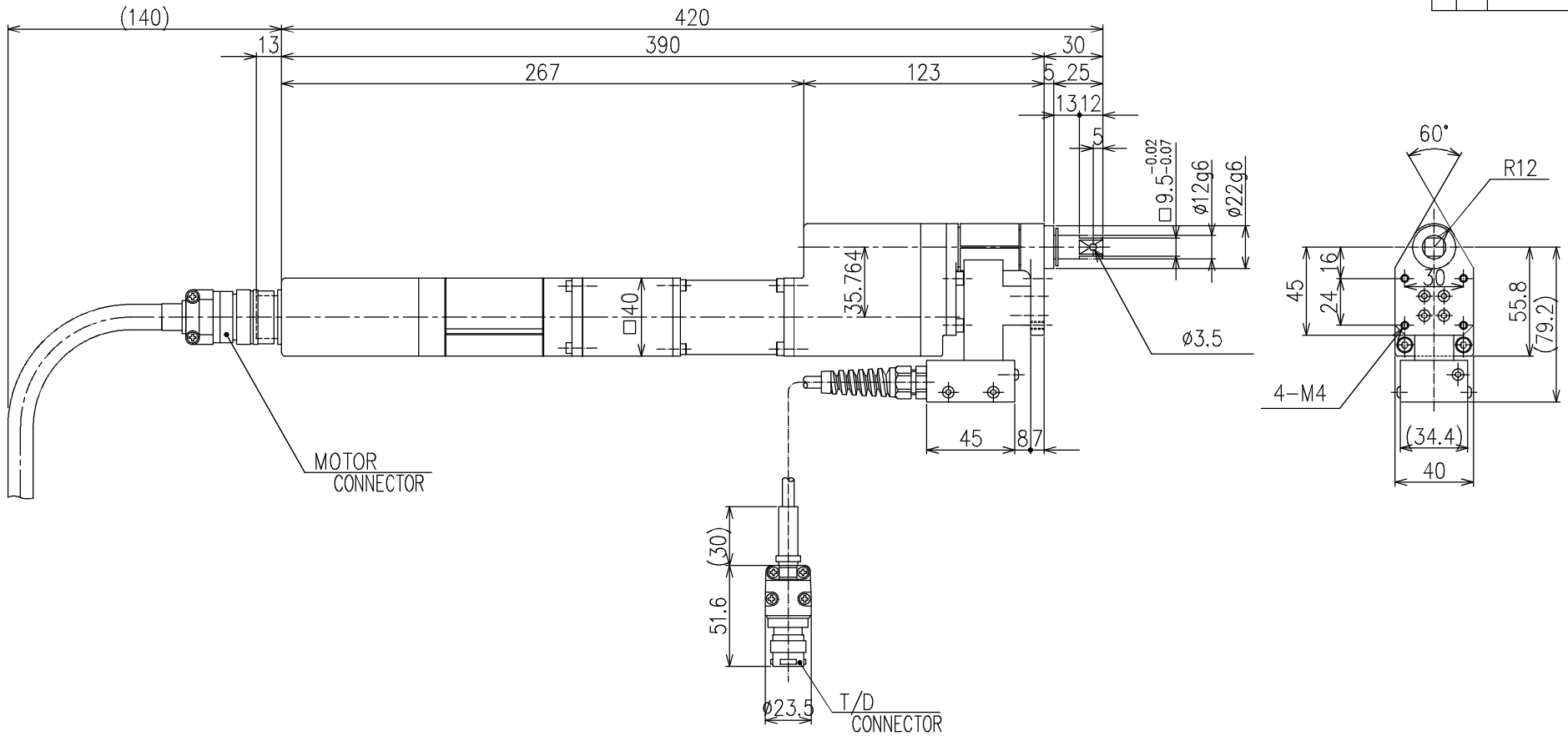


CHANGES			
SYM.	BY	REVISION	DATE
-	BMB	CHANGED TO ENGLISH	04/10/00



- |                      |                  |
|----------------------|------------------|
| 1. FULL SCALE TORQUE | 2kgf-m (19.6N-m) |
| 2. MAX FREE SPEED    | 500R.P.M         |
| 3. WEIGHT            | 2.7kgf           |

TOLERANCE UNLESS OTHERWISE SPECIFIED

INCH	METRIC
.XX=±.01	.X=±.25
.XXX=±.005	.XX=±.127
.XXXX=±.0005	.XXX=±.0127
ANGLE=±.5°	ANGLE=±.5°

- DO NOT SCALE DRAWING.
- BREAK ALL SHARP CORNERS & EDGES EXCEPT AS NOTED.
- USE HI-COLLAR LOCKWASHERS UNDER ALL SOC. HD. SCREWS.
- APPLY LOC-TITE TO ALL SCREWS.

NOTICE OF PROPRIETARY RIGHTS  
The design concepts and engineering detail embodied in this drawing are the property of FEC INC. and are to be maintained in strict confidence; no element or detail of this drawing is to be disclosed nor used without the express written permission of FEC INC.

AMT	SYM	SHT	NAME	PART #	MFG.

DES.BY DDK	DET.BY DDK	TITLE TOOL OUTLINE
CHK.BY DDK	SAFETY OK	
DATE 04/10/00	SCALE FULL	
SHEET -	SHEETS -	DRAWING NO. NFT-201RM1A-0