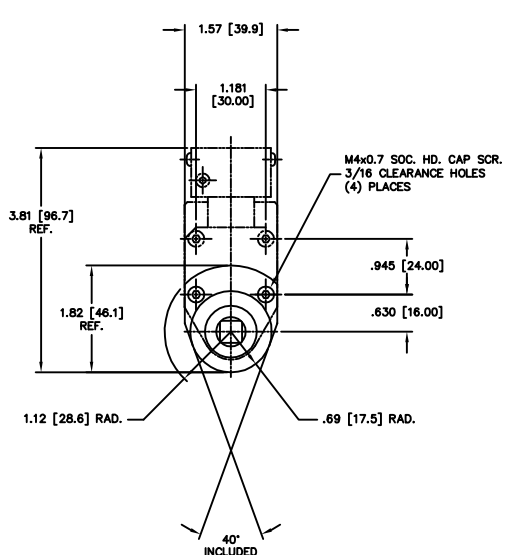
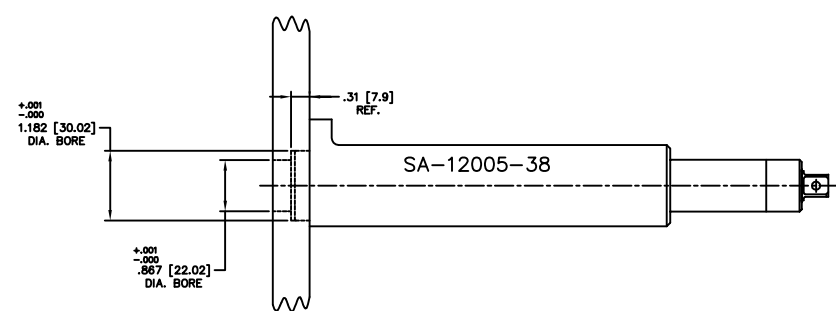
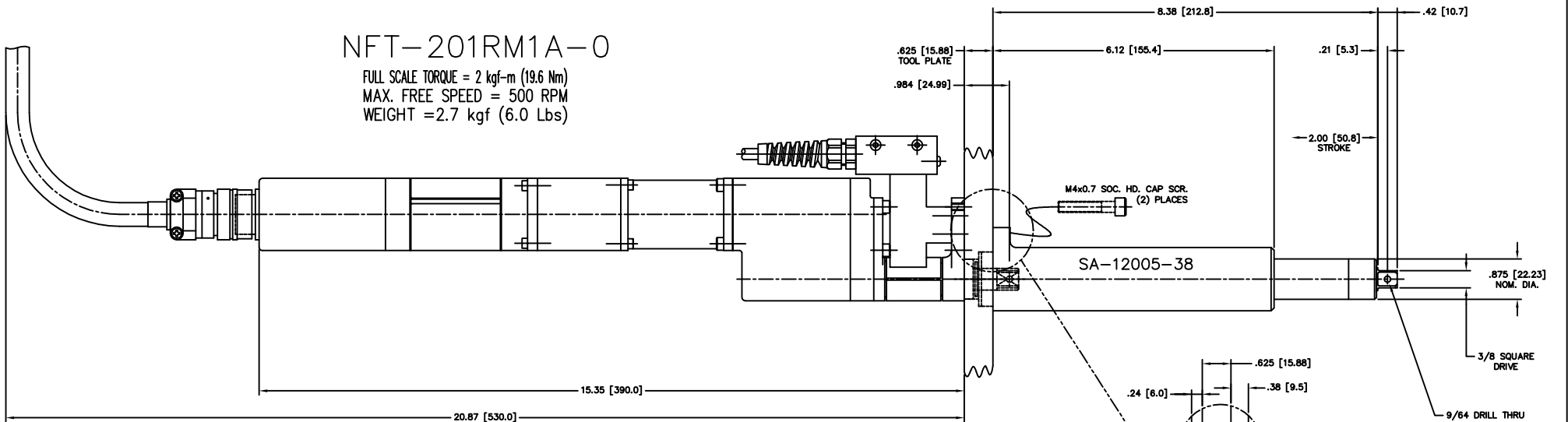


# TOOL & SPINDLE ASSEMBLY TOGETHER

CHANGES			
SYM	BY	REVISION	DATE

NFT-201RM1A-0

FULL SCALE TORQUE = 2 kgf-m (19.6 Nm)  
 MAX. FREE SPEED = 500 RPM  
 WEIGHT = 2.7 kgf (6.0 Lbs)



- TOLERANCE UNLESS OTHERWISE SPECIFIED**
- |              |             |
|--------------|-------------|
| INCH         | METRIC      |
| .XX=±.01     | .X=±.25     |
| .XXX=±.005   | .XX=±.127   |
| .XXXX=±.0005 | .XXX=±.0127 |
| ANGLE=±.5°   | ANGLE=±.5°  |
- DO NOT SCALE DRAWING.
  - BREAK ALL SHARP CORNERS & EDGES EXCEPT AS NOTED.
  - USE HI-COLLAR LOCKWASHERS UNDER ALL SOC. HD. SCREWS.
  - APPLY LOC-TITE TO ALL SCREWS.

**NOTICE OF PROPRIETARY RIGHTS**  
 The design concepts and engineering detail embodied in this drawing are the property of FEC INC. and are to be maintained in strict confidence; no element or detail of this drawing is to be disclosed nor used without the express written permission of FEC INC.

AMT	SYM	SHT	NAME	PART #

DESIGN BY BMB	DESIGN BY FEC	TITLE SPINDLE ADAPTOR WITH	DATE 11/08/03	SCALE FULL	7/8" DIA.	STROKE 2"
------------------	------------------	-------------------------------	------------------	---------------	-----------	--------------

CHECKED BY ADP	DATE 11/08/03	SHEET 1	SHEETS 1	DRAWING NO. NFT-201RM1A-0 W/SA-12005-38
-------------------	------------------	------------	-------------	--

FASTENING INC. 81327 QUADRATE DRIVE  
 MACOMB TWP, MI 48062  
 OFFICE: (981) 781-2100