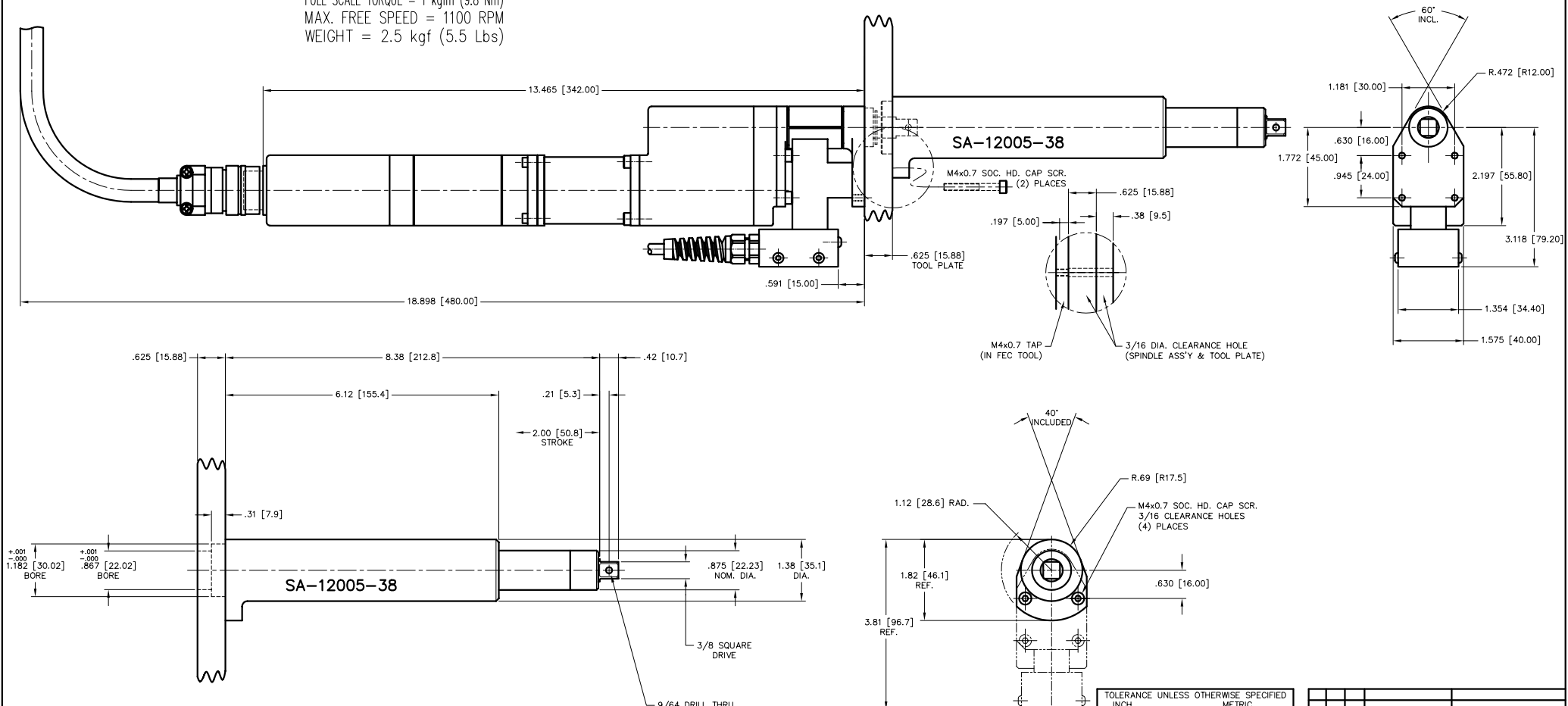


TOOL & SPINDLE ASSEMBLY TOGETHER

NFT-051RM1A-0

FULL SCALE TORQUE = 1 kgfm (9.8 Nm)
 MAX. FREE SPEED = 1100 RPM
 WEIGHT = 2.5 kgf (5.5 Lbs)

CHANGES			
SYM.	BY	REVISION	DATE



- TOLERANCE UNLESS OTHERWISE SPECIFIED**
- | | |
|--------------|-------------|
| INCH | METRIC |
| .XX=±.01 | .X=±.25 |
| .XXX=±.005 | .XX=±.127 |
| .XXXX=±.0005 | .XXX=±.0127 |
| ANGLE=±.5° | ANGLE=±.5° |
- DO NOT SCALE DRAWING.
 - BREAK ALL SHARP CORNERS & EDGES EXCEPT AS NOTED.
 - USE HI-COLLAR LOCKWASHERS UNDER ALL SOC. HD. SCREWS.
 - APPLY LOC-TITE TO ALL SCREWS.

NOTICE OF PROPRIETARY RIGHTS
 The design concepts and engineering detail embodied in this drawing are the property of FEC INC. and are to be maintained in strict confidence; no element or detail of this drawing is to be disclosed nor used without the express written permission of FEC INC.

AMT	SYM	SHT	NAME	PART #

		32656 INDUSTRIAL DR. MADISON HEIGHTS, MI. 48071 (248) 589-1444	
DES BY FEC	DET BY BMD	TITLE SPINDLE ADAPTOR FOR NFT-051RM1A-0	
CHK BY FEC	SAFETY OK		
DATE 10/12/06	SCALE FULL	7/8" DIA.	2" STROKE
SHEET 1	SHEETS 1	DRAWING NO. NFT-051RM1A-0 W/SA-12005-38	