

MICRO NUTRUNNER

APPLICATIONS

AUTOMOTIVE



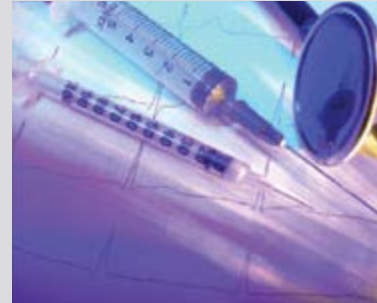
Low-torque assembly applications requiring torque controlled fastening with data reporting for quality traceability include: instrument clusters, gauges, radios, sensors, CPUs, alternators, electric power steering systems, instrumentation controllers, actuators, HVAC systems and many more!

ELECTRONICS

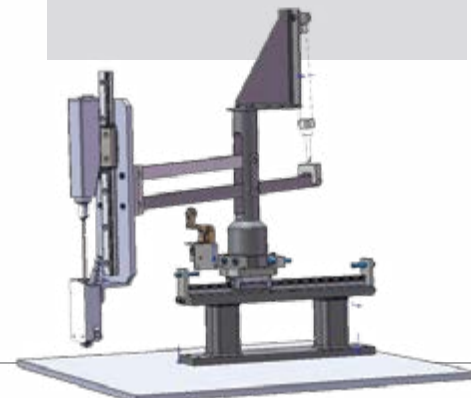


Electronic assembly applications requiring high accuracy, low torque fastening with data reporting for quality traceability include: circuit board assembly, motherboard installation, power supplies, LCD TVs and monitors, electronic toys, game controllers, modems, phones, CATV controllers, audio/visual equipment, home appliances and many more!

MEDICAL



Medical industry assembly applications that require closed loop torque transducer feedback and data reporting capabilities include: medical instrumentation and electronic controls, device torque test applications, valve assemblies, plastic medical devices and many more!



FEC MICRO NUTRUNNER

For torque applications less than 0.8Nm (7.08inlbs), the embedded torque transducer allows closed loop control of the fastening process, resulting in highly accurate fastening for your low torque assembly applications. Do not rely on springs, clutches or current feedback when your application requires assurance that torque was applied to the fastener.

FEC's ever improving and expanding product line currently offers:



The key to the excellent reputation we've earned with our extended customer base is the expertise of our engineering and manufacturing staff in the design and production of our assembly systems. Additionally, the service-oriented nature of our operation ensures support from initial equipment concept through installation and beyond.

51341 Celeste, Shelby Township, MI. 48315

Tel: (586) 580-2622 | Fax: (586) 580-2620

E-mail: sales@fec-usa.com

WWW.FEC-USA.COM



FOR MORE INFORMATION SCAN
HERE WITH YOUR SMARTPHONE

CERTIFIED ISO 9001



MICRO NUTRUNNER

TRANSDUCERIZED MICRO NUTRUNNER



**MICRO
NUTRUNNER**

TRANSDUCERIZED MICRO NUTRUNNER

UTILIZING THE LATEST TECHNOLOGY FOR HIGHLY ACCURATE
FASTENING OF LOW TORQUE APPLICATIONS



LOW TORQUE. HIGH SPEED. HIGH ACCURACY.

IF YOUR APPLICATION DEMANDS HIGH QUALITY, THE MICRO NUTRUNNER IS YOUR CHOICE

TRANSDUCERIZED MICRO NUTRUNNER

- Perfect for electronic, medical, and small assembly applications requiring high quality, high speed and highly accurate fastening with full data report capabilities for birth history
- Fixture mount tool for automation adaptation
- Small footprint controller with two mounting options
- Standard 1/4" quick-release bit holder
- Single cable tool connection



SPECIFICATIONS

TOOL MODEL	MFT-080M10-S	REMARK
MAXIMUM TORQUE	0.8 NM (7.08 INLBS)	M2-M3 SCREW
SPEED	1-1100 RPM	4STEP SPEED CONTROL
TOOL WEIGHT	580 GRAM	20.5 OZ
POWER REQUIREMENT	24V DC 5A	-
TORQUE RESOLUTION	0.001NM	-
ANGLE RESOLUTION	1DEGREE	COUNTS UP TO 9,999 DEGREES
DIMENSIONS	170H X 80W X 45D	60D WITH DISPLAY



MICRO NUTRUNNER USER CONSOLE SOFTWARE

Data reports are provided via PC. Our "no cost" setup/monitor software is provided with each system. Data is stored to a flashcard (Micro SD up to 2GB).

1 PRODUCTIVITY

- High Speed, single-cable tool up to 1100 RPM allow for reduced cycle time; ideal for robot or "flexing" applications
- On-the-fly parameter selection allows multiple models to be run using different torque/angle targets
- Self-tapping screw fastening algorithm and screw breakage detection
- All parameters backed up in 'flash' memory ensuring no loss of setup data and no batteries to replace

2 FLEXIBILITY

- Torque/Angle fastening methods can be programmed in up to 8 selectable parameters or programs
- Adjustable forward/reverse speed setting
- "No Cost" MNR software allows easy setup, monitoring and fastening data storage to a PC
- CW or CCW operation allows fastening in any direction

3 ACCURACY

- High speed resolver-based permanent magnet motor for high precision and durability
- Four separate speed settings can be set allowing precise speed control for high-accuracy fastening
- Intelligent Tool ID ensures proper tool and accuracy
- 4 digit display resolution

4 ENVIRONMENTALLY FRIENDLY

- Reduces energy, noise, heat, maintenance and space requirements over non-electric systems
- Low-energy consumption due to digital motor control and supply power (24VDC)
- Small, compact size saves plant floor space
- Lightweight tool reduces energy required to move or mount in automation



MICRO NUTRUNNER CONTROLLER

The small size of the controller package is suitable for compact mounting design. LED display/keypad allows display of fastening results as well as access to setup parameters.