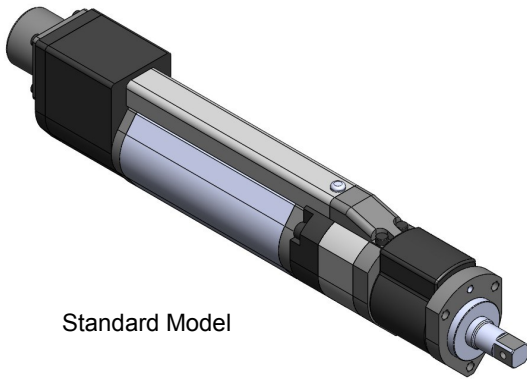
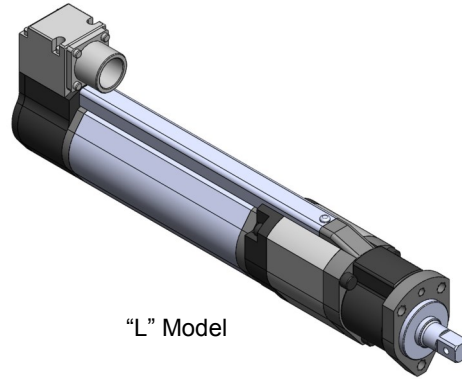


AFC 3000 Tool & Controller Specifications

STRAIGHT TOOLS



Standard Model



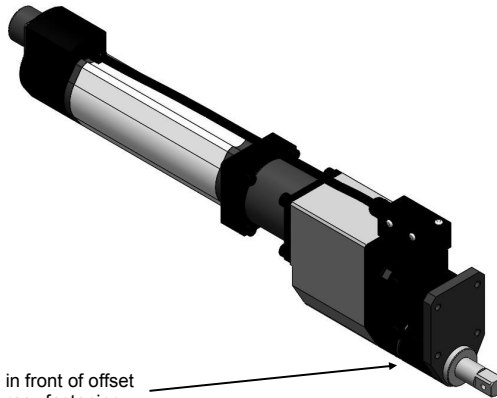
"L" Model

Part Number	Max. Torque (Nm / ft-lbs)	Max. RPM	Sq. Drive (mm / in)	Total Length (mm / in)	Min C to C (mm / in)	Weight (kg / lbs)
CFT-101RS1-S	10 / 7.3	3000	9.5 / 3/8	275 / 10.8	39.6 / 1.56	1.3 / 2.9
CFT-201RS1-S	20 / 14.7	1293	9.5 / 3/8	290 / 11.4	39.6 / 1.56	1.4 / 3.0
CFT-281RS1-S	28 / 20.6	992	9.5 / 3/8	293 / 11.5	39.6 / 1.56	1.4 / 3.0
CFT-401RS1-S	40 / 29.5	712	9.5 / 3/8	293 / 11.5	39.6 / 1.56	1.4 / 3.0
CFT-801RS3-S	80 / 59	1015	12.7 / 1/2	372 / 14.6	50.6 / 1.99	3.4 / 7.5
CFT-132RS3-S	130 / 96	662	12.7 / 1/2	372 / 14.6	50.6 / 1.99	3.4 / 7.5
CFT-202RS3-S	200 / 147	387	15.9 / 5/8	390 / 15.4	59.6 / 2.35	4.3 / 9.5
CFT-302RS3-S	300 / 221	260	19 / 3/4	440 / 17.3	71.6 / 2.81	5.8 / 12.8

"L" at end of model denotes connector exits towards square drive of tool (Ex. CFT-132RS3-SL)

(Note: connector on "L" style tool is rotatable in 90 degree increments if connector position to the side is desired)

OFFSET TOOLS



Torque Transducer located in front of offset transmission for high accuracy fastening

Part Number	Max. Torque (Nm / ft-lbs)	Max. RPM	Sq. Drive (mm / in)	Total Length (mm / in)	Min C to C (mm / in)	Weight (kg / lbs)
CFT-201RS1-O	20 / 14.7	1293	9.5 / 3/8	355 / 14.0	30.6 / 1.20	2.3 / 5.0
CFT-401RS1-O	40 / 29.5	712	9.5 / 3/8	372 / 14.7	30.6 / 1.20	2.4 / 5.3
CFT-801RS3-O	80 / 59	1015	12.7 / 1/2	489 / 19.3	36.6 / 1.44	5.9 / 13
CFT-132RS3-O	130 / 96	662	12.7 / 1/2	514 / 20.2	40.6 / 1.60	7.1 / 15.7
CFT-202RS3-O	200 / 147	387	15.9 / 5/8	536 / 21.1	46.6 / 1.83	8.6 / 19
CFT-302RS3-O	300 / 221	260	19 / 3/4	572 / 22.5	57.6 / 2.27	12.6 / 27.8

"L" at end of model denotes connector exits towards square drive of tool (Ex. CFT-132RS3-OL)

(Note: connector on "L" style tool is rotatable in 90 degree increments if connector position to the side is desired)

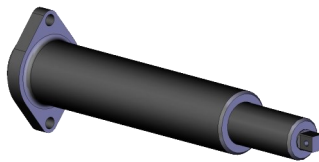
CONTROLLERS



Showing optional Fieldbus and CF Modules installed

Model	Tool Model	Width (mm / in)	Height (mm / in)	Depth (mm / in)	Weight (kg / lbs)
MFC-S024	CFT- xxxRS1-x	56 / 2.2	235 / 9.3	170 / 6.7	1.4 / 3.1
MFC-S060	CFT-xxxRS3-x	56 / 2.2	235 / 9.3	170 / 6.7	1.6 / 3.5
MFC-S120	NFT/CFT-xxxRM4	95 / 3.7	235 / 9.3	170 / 6.7	3.2 / 7.1
Optional Modules					
MFC-CF (Compact Flash)	N/A	36 / 1.4	138 / 5.4	135 / 5.3	.4 / .9
MFC-CC (CCLINK)	N/A	36 / 1.4	96 / 3.8	135 / 5.3	.2 / .4
MFC-DN (Devicenet)	N/A	36 / 1.4	96 / 3.8	135 / 5.3	.2 / .4
MFC-PB (Profibus)	N/A	36 / 1.4	96 / 3.8	135 / 5.3	.2 / .4
MFC-PN (Profinet)	N/A	36 / 1.4	96 / 3.8	135 / 5.3	.2 / .4
MFC-EN (Ethernet IP)	N/A	36 / 1.4	96 / 3.8	135 / 5.3	.2 / .4
MFC-IO (Discrete-I/O)	N/A	36 / 1.4	96 / 3.8	135 / 5.3	.2 / .4

SPINDLE ASSEMBLY



Model	Tool Model	Max. Torque (Nm / ft-lbs) (mm / in)	Length (mm / in)	Stroke (mm / in)	Square Drive (mm / in)
SA-3S1-2-38-38	CFT-101, 201, 301, 401	40 / 29.5	213 / 8.4	50 / 2.0	9.5 / .38
SA-3S3-2-50-50	CFT- 801, 132	130 / 96	215 / 8.5	50 / 2.0	12.7 / .50
SA-3S3-2-62-62	CFT-202	200 / 148	231 / 9.1	50 / 2.0	15.8 / .63
SA-3S3-2-75-75	CFT-302	300 / 221	235 / 9.3	50 / 2.0	19.0 / .75
SA-3S1-3-38-38	CFT-101, 201, 301, 401	40 / 29.5	264 / 10.4	75 / 3.0	9.5 / .38
SA-3S3-3-50-50	CFT- 801, 132	130 / 96	266 / 10.5	75 / 3.0	12.7 / .50
SA-3S3-3-62-62	CFT-202	200 / 148	268 / 10.6	75 / 3.0	15.8 / .63
SA-3S3-3-75-75	CFT-302	300 / 221	273 / 10.7	75 / 3.0	19.0 / .75

Spindle Assemblies take up the "stroke" of bolt movement as it is run down.
 Standard models shown - optional lengths, strokes and square drives available.
 For Offset spindle assemblies, change "SA" to "OA" in the part number



AUTOMATION
SYSTEMS

For drawings or more information visit www.fec-usa.com