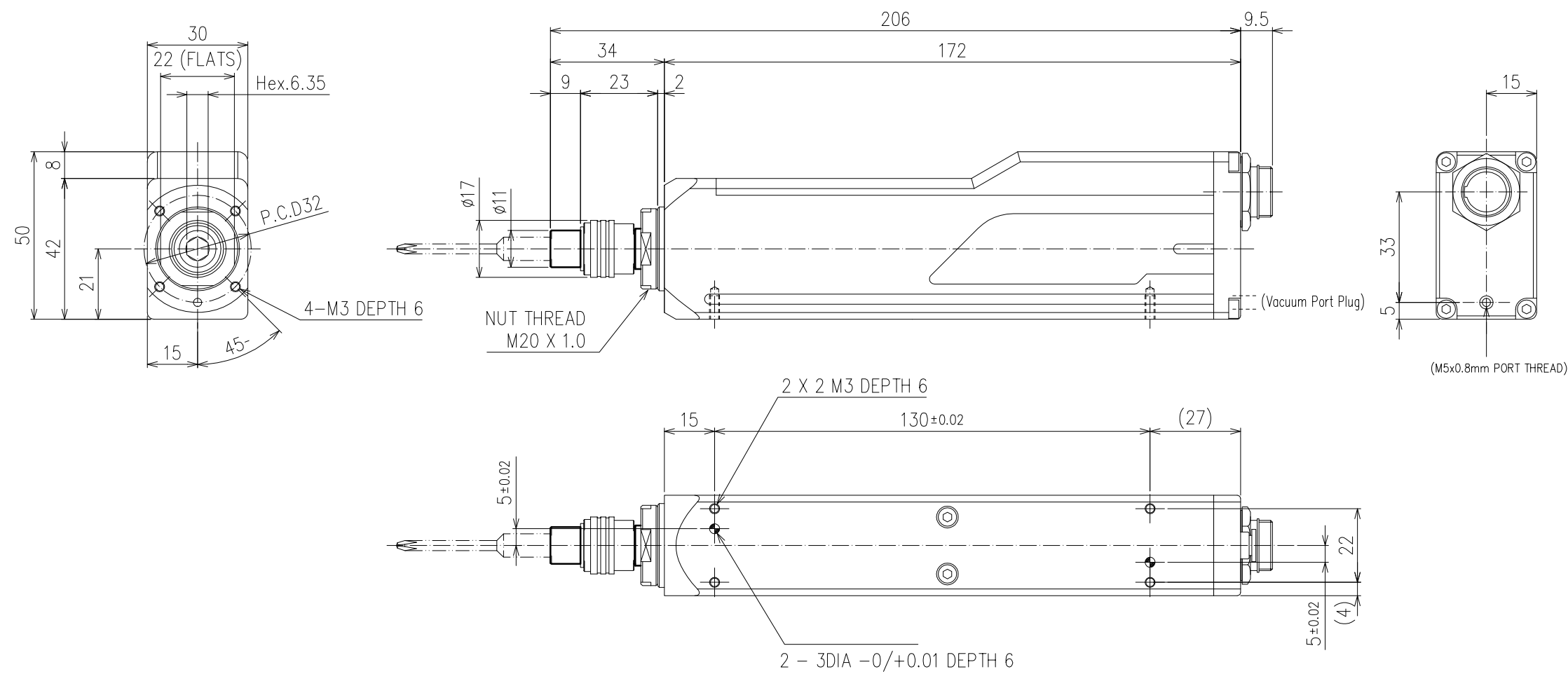


CHANGES			
SYM.	BY	REVISION	DATE



MICRO NUTRUNNER SPECIFICATION		
MAX TORQUE	N·m	0.8
<small>(Transmission Efficiency=90%, Heat Effect=95%(5% loss) considered)</small>		
MAX SPEED	r.p.m	1660
<small>INPUT VOLTAGE DC24V</small>		
MAX THRUST FORCE TO BIT HOLDER	N	30
RECOMMENDED THRUST	N	10
WEIGHT	g	680

TOLERANCE UNLESS OTHERWISE SPECIFIED

INCH	METRIC
.XX=±.01	.X=±.25
.XXX=±.005	.XX=±.127
.XXXX=±.0005	.XXX=±.0127
ANGLE=±.5°	ANGLE=±.5°

- DO NOT SCALE DRAWING.
- BREAK ALL SHARP CORNERS & EDGES EXCEPT AS NOTED.
- USE HI-COLLAR LOCKWASHERS UNDER ALL SOC. HD. SCREWS.
- APPLY LOC-TITE TO ALL SCREWS.

NOTICE OF PROPRIETARY RIGHTS

The design concepts and engineering detail embodied in this drawing are the property of FEC INC. and are to be maintained in strict confidence; no element or detail of this drawing is to be disclosed nor used without the express written permission of FEC INC.

AMT	SYM	SHT	NAME	PART #	MFG.

FEC INC. FASTENING AUTOMATION www.fec-usa.com

DES.BY DDK	DET.BY DDK	TITLE MICRO NUTRUNNER OUTLINE
CHK.BY SAFETY OK		MFT-080M10-S1
DATE 02/17	SCALE FULL	DDK REF: 14T- 16014-B
SHEET 1	SHEETS 1	DRAWING NO. MFT-080M10-S1