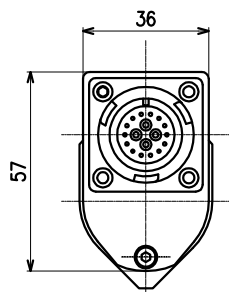
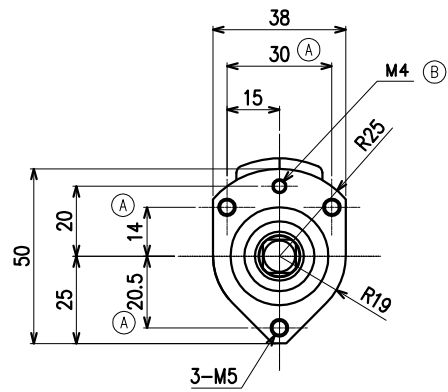
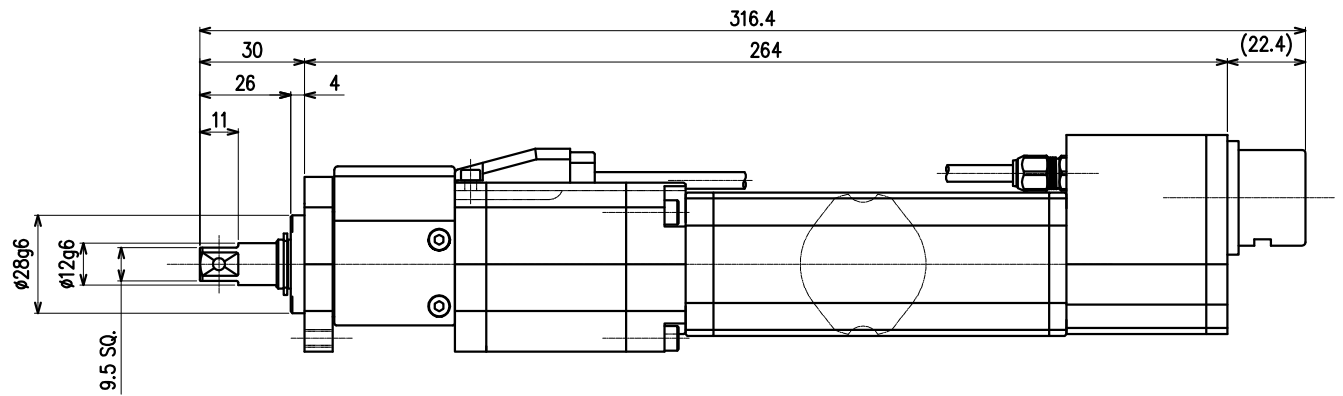


CHANGES			
SYM.	BY	REVISION	DATE
-	BMB	TRANSLATED TO ENGLISH	09/20/12
A	BMB	HOLE MOUNTING PATTERN CHANGE	10/26/12
B	BMB	M4 HOLE ADDED	10/26/12



TOOL SPECIFICATIONS	
FULL SCALE TORQUE	4.1 Kgf-m (40 N-m)
MAX FREE SPEED	712 RPM
UNIT WEIGHT	1.44 Kg (3.2 lbs.)

TOLERANCE UNLESS OTHERWISE SPECIFIED

INCH	METRIC
.XX=±.01	.X=±.25
.XXX=±.005	.XX=±.127
.XXXX=±.0005	.XXX=±.0127
ANGLE=±.5°	ANGLE=±.5°

BREAK ALL SHARP CORNERS & EDGES EXCEPT AS NOTED  
DO NOTE SCALE DRAWING

NOTICE OF PROPRIETARY RIGHTS

The design concepts and engineering detail embodied in this drawing are the property of FEC INC. and are to be maintained in strict confidence; no element or detail of this drawing is to be disclosed nor used without the express written permission of FEC INC.

AMT	SYM	SHT	NAME	PART #	MFG.
FEC INC. FASTENING AUTOMATION			www.fec-usa.com		
DES.BY	DET.BY	TITLE			
CHK.BY	SAFETY OK	TOOL ASSEMBLY DRAWING FOR A CFT-401RS1-S TOOL			
DATE	SCALE	DRAWING NO.			
06/18/12	FULL	CFT-401RS1-S			
SHEET	SHEETS				