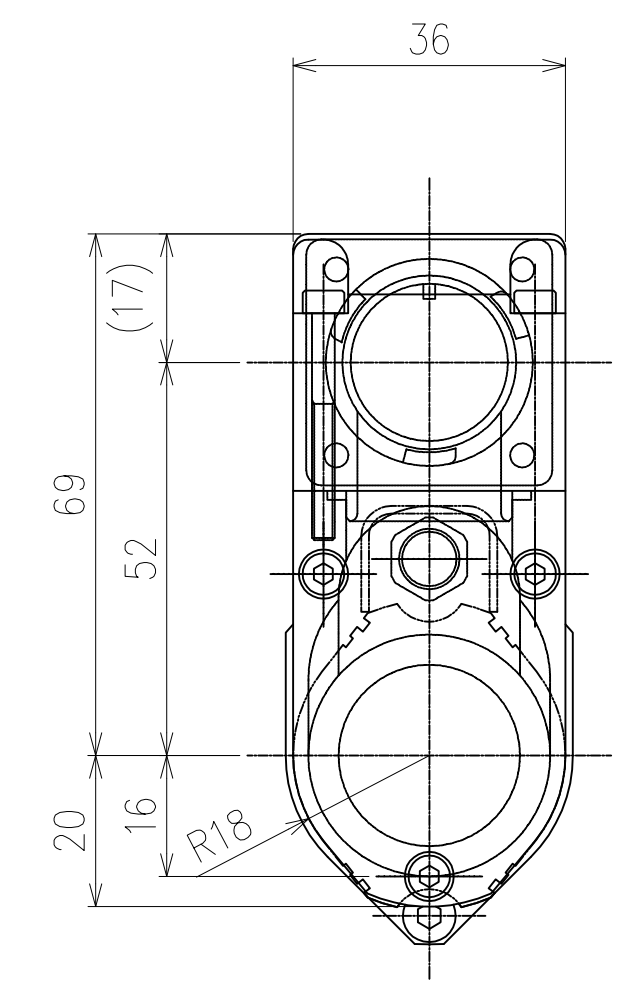
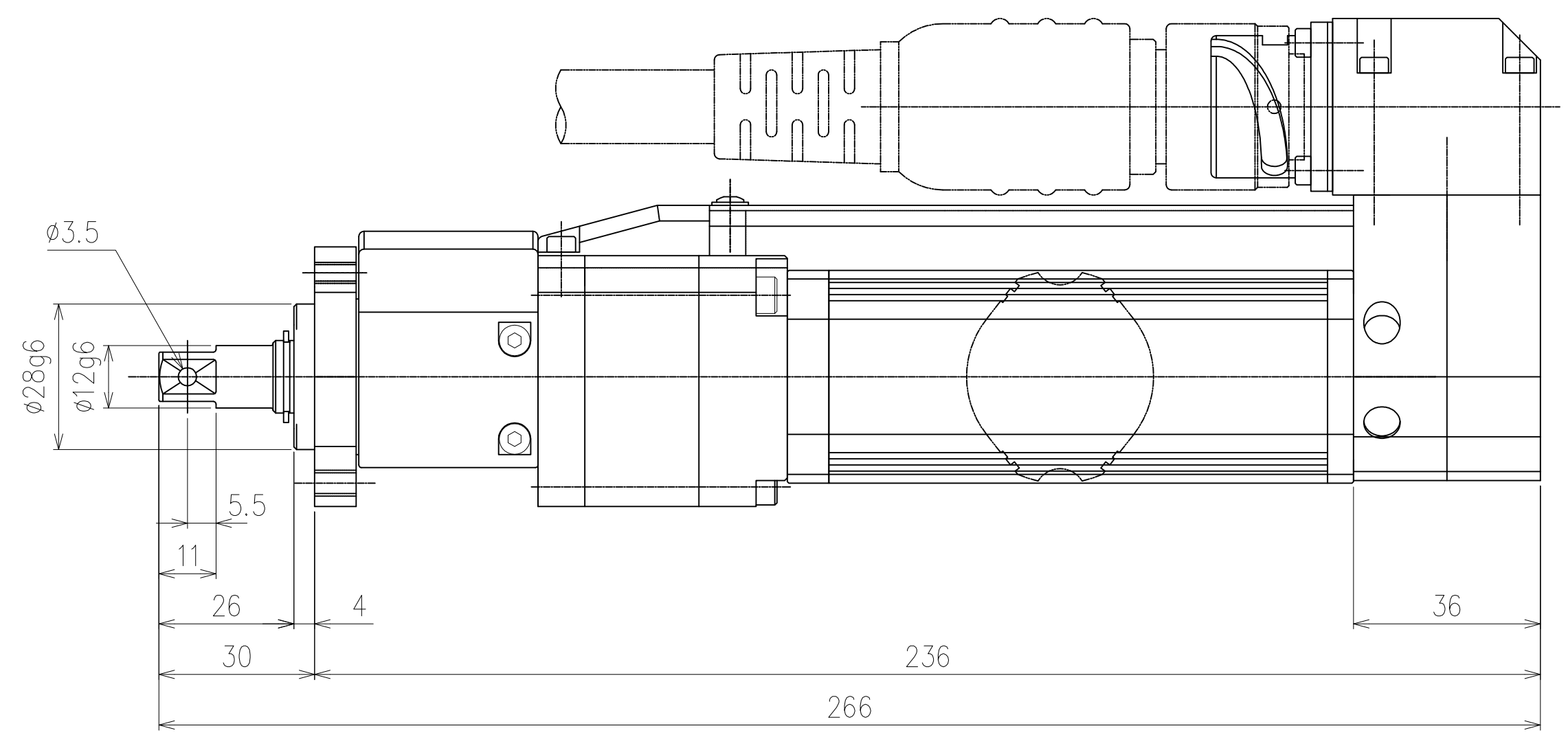
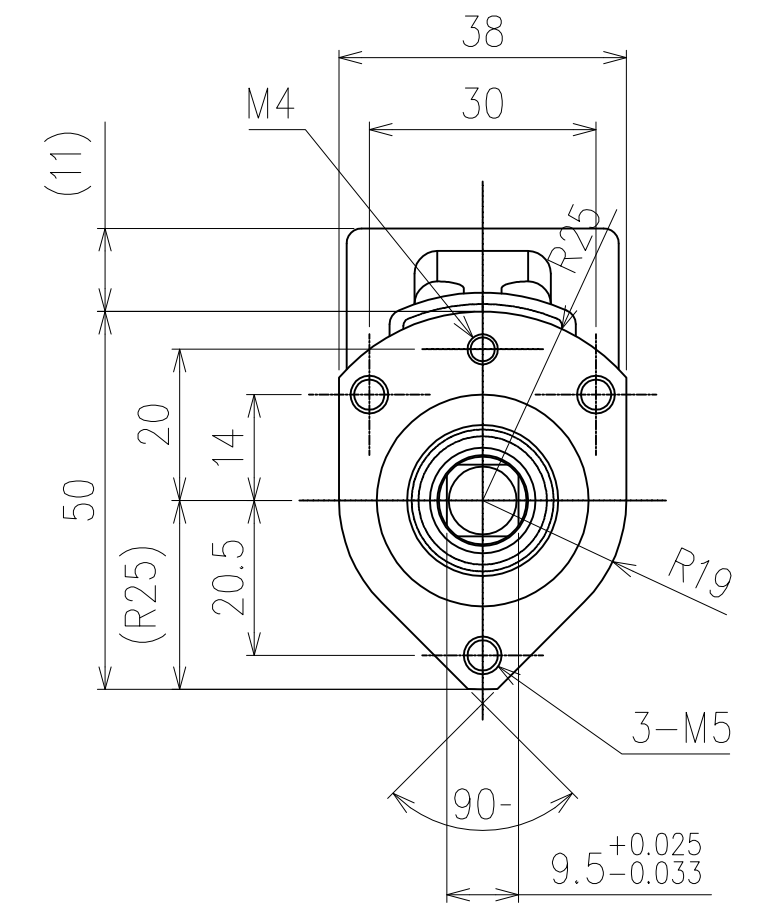
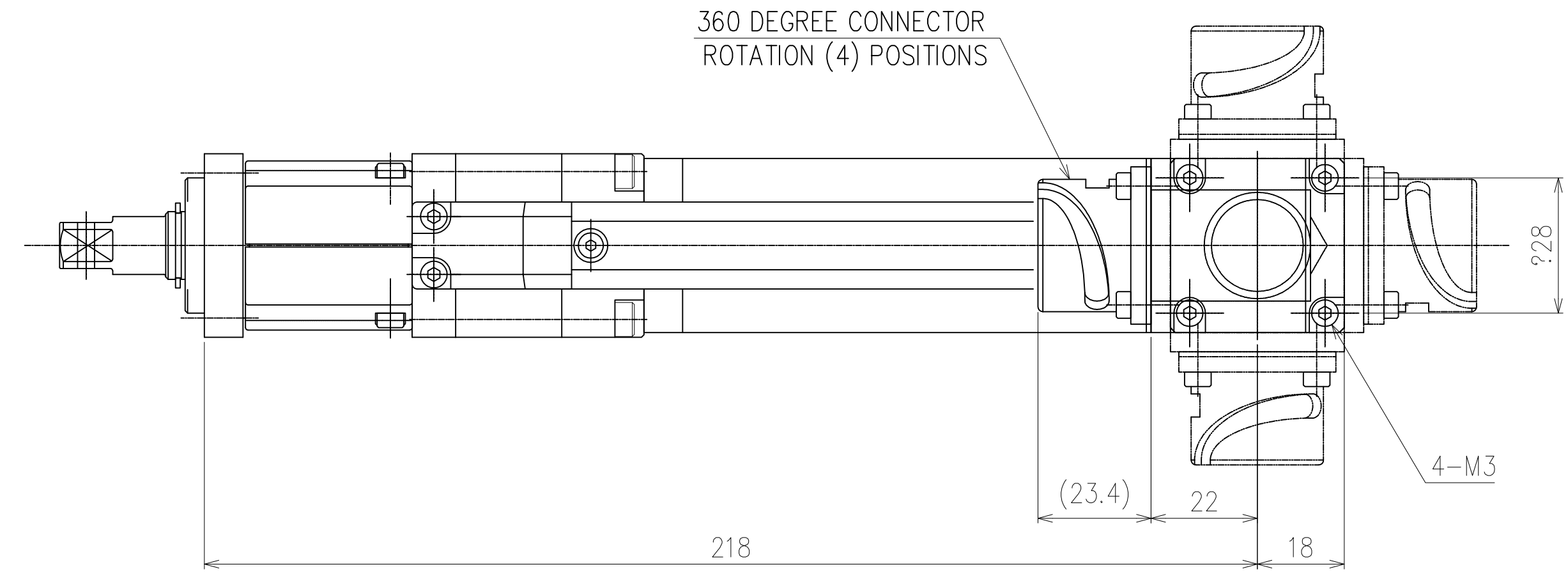


CHANGES			
SYM.	BY	REVISION	DATE
-	-	-	



TOOL SPECIFICATIONS	
FULL SCALE TORQUE	1.02 Kgf-m (10 N-m)
MAX FREE SPEED	3000 RPM
UNIT WEIGHT	1.26 Kg

TOLERANCE UNLESS OTHERWISE SPECIFIED
 INCH METRIC
 .XX=±.01 .X=±.25
 .XXX=±.005 .XX=±.127
 .XXXX=±.0005 .XXX=±.0127
 ANGLE=±.5° ANGLE=±.5°
 BREAK ALL SHARP CORNERS &
 EDGES EXCEPT AS NOTED
 DO NOTE SCALE DRAWING

NOTICE OF PROPRIETARY RIGHTS
 The design concepts and engineering detail embodied in this drawing are the property of FEC INC. and are to be maintained in strict confidence; no element or detail of this drawing is to be disclosed nor used without the express written permission of FEC INC.

AMT	SYM	SHT	NAME	PART #	MFG.

DES.BY: [blank] DET.BY: [blank] TITLE: TOOL ASSEMBLY DRAWING
 FOR A CFT-101RS1-SL TOOL
 CHK.BY: [blank] SAFETY OK: [blank]
 DATE: 07/16/15 SCALE: FULL
 SHEET: [blank] SHEETS: [blank] DRAWING NO.: CFT-101RS1-SL