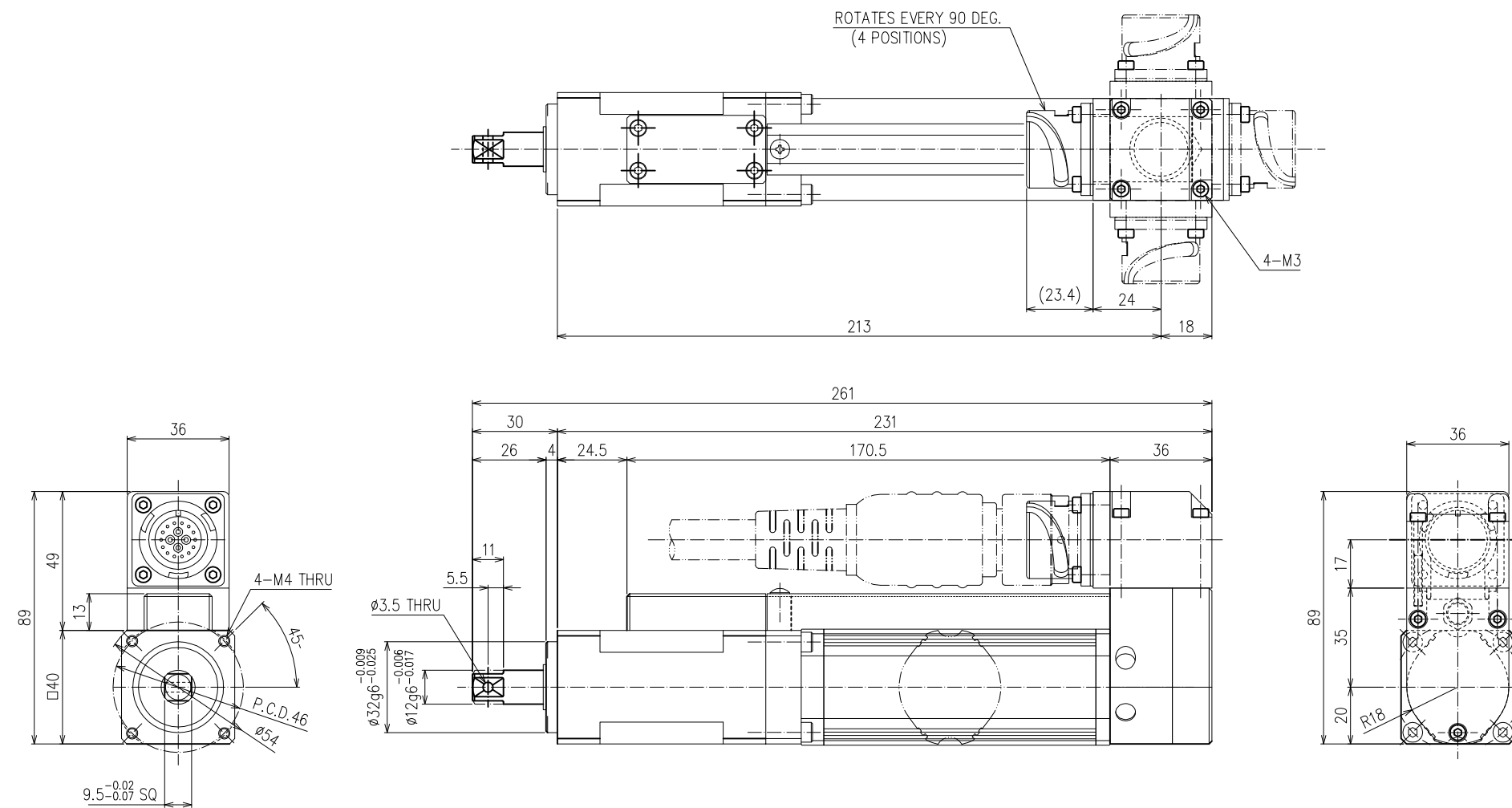


CHANGES			
SYM.	BY	REVISION	DATE
-	PAG	TRANSLATED TO ENGLISH	01/24/19



TOOL SPECIFICATIONS	
FULL SCALE TORQUE	0.5 Kgf-m (5 N-m)
MAX FREE SPEED	1330
UNIT WEIGHT	1.16 Kg (2.6 lbs.)

TOLERANCE UNLESS OTHERWISE SPECIFIED

INCH	METRIC
.XX=±.01	.X=±.25
.XXX=±.005	.XX=±.127
.XXXX=±.0005	.XXX=±.0127
ANGLE=±.5°	ANGLE=±.5°

BREAK ALL SHARP CORNERS & EDGES EXCEPT AS NOTED
DO NOTE SCALE DRAWING

NOTICE OF PROPRIETARY RIGHTS

The design concepts and engineering detail embodied in this drawing are the property of FEC INC. and are to be maintained in strict confidence; no element or detail of this drawing is to be disclosed nor used without the express written permission of FEC INC.

DES.BY	DET.BY	TITLE
		TOOL ASSEMBLY DRAWING
		FOR A CFT-051RS1-SL TOOL
DATE	SCALE	REFERENCE DDK DWG# DS-N055
01/24/19	FULL	
SHEET	SHEETS	DRAWING NO.
		CFT-051RS1-SL