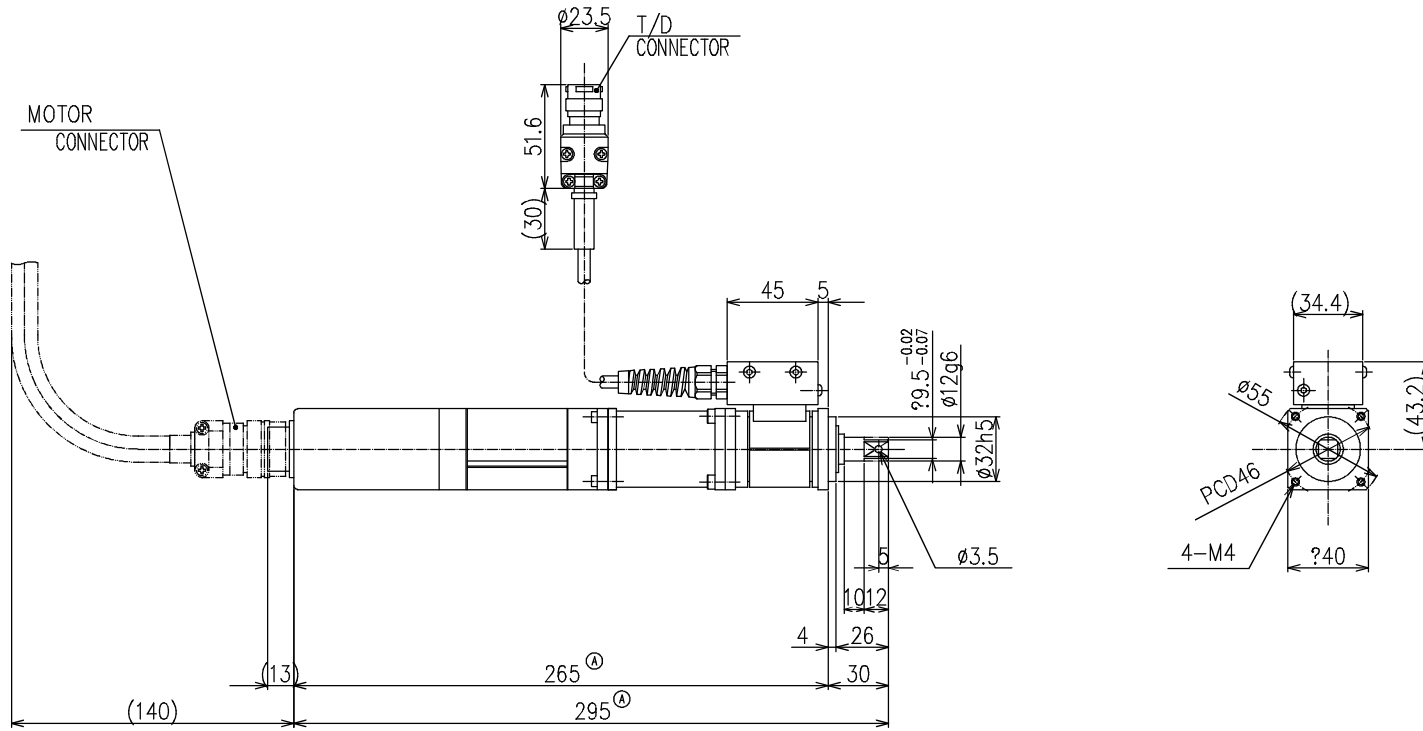


CHANGES				
SYM.	BY	REVISION	DATE	
-	FEC	CHANGED TO ENGLISH	4/20/07	
A	BMB	TOOL MOTOR LENGTH INCREASED 2MM	05/08/10	



FULL SCALE TORQUE:	0.5kGF (4.9NM)
MAX. FREE SPEED:	1100 RPM
WEIGHT:	1.9KG

TOLERANCE UNLESS OTHERWISE SPECIFIED

INCH	METRIC
.XX=±.01	.X=±.25
.XXX=±.005	.XX=±.127
.XXX=±.0005	.XX=±.0127
ANGLE=±.5°	ANGLE=±.5°

- DO NOT SCALE DRAWING.
- BREAK ALL SHARP CORNERS & EDGES EXCEPT AS NOTED.
- USE HI-COLLAR LOCKWASHERS UNDER ALL SOC. HD. SCREWS.
- APPLY LOC-TITE TO ALL SCREWS.

NOTICE OF PROPRIETARY RIGHTS

The design concepts and engineering detail embodied in this drawing are the property of FEC INC. and are to be maintained in strict confidence; no statement or detail of this drawing is to be disclosed nor used without the express written permission of FEC INC.

AMT	SYM	SHT	NAME	PART #	MFG.

DES BY		DET BY		TITLE	
DDK		DDK		TOOL OUTLINE	
CHK BY		SAFETY OK			
DATE		SCALE			
7/24/2002		FULL			
SHEET		SHEETS		DRAWING NO.	
				NFT-050RM1A-S	